



ELECTRIC PERFECTION.

1ST EDITION 2023-2024



SOLUS



ELECTRIC PERFECTION.

Introducing the Solus range from Vision E-Line; the ultimate electric fires. Using cutting edge technology and innovation to provide instant heat, realistic flames, and adaptive ambient lighting to your living space.

The Solus range is the outstanding result of extensive research and development, meticulous attention to detail, and the highest standard of quality. With a host of unique and innovative features, these appliances are unrivalled in their class.

The Solus collection provides a complete range of options to create the ultimate fireplace which will transform your home, adding a touch of luxury that is perfectly tailored to reflect your own unique style.

HORIZON STOVE	21
VS75	23
VS100	27
ZENITH SUITE	31
VS130	33
VS150	37
VS180	41
VS220	45
PLINTHS & SHELVES	49
APPLIANCE DIMENSIONS	52
WARRANTY	55



SOLUS.

Whether you are planning on creating the ultimate social hub, or simply increasing the wow-factor of your living room, make every detail matter with a Solus appliance from Vision E-line.

Seeing is believing. Scan the QR code below for a video experience that will change the way you think about electric fires.





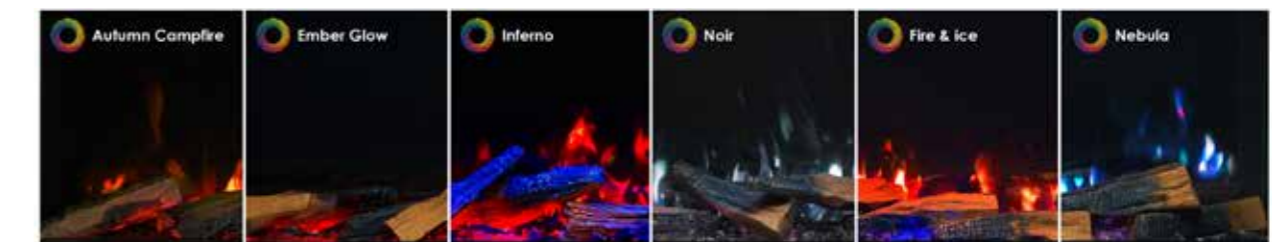
SETTING THE SCENE.

Our approach is to create beautiful, inspiring appliances that change the perception of a traditional electric fire.

With a Solus fire, you are in control of every aspect of your appliance, from the speed, colour and brightness of the entrancing flames to the enchanting crackling sounds of burning logs, or the complementing ambient lighting of your extended living space.

Our unique TriLight technology provides multi angled, fully customisable dynamic LED lighting to create thousands of unique colour and tonal combinations to the flames and fuel bed. Each can work in harmony with one another or can work independently to create a unique combination to create a truly unique atmosphere, all at the touch of a button.

To provide an insight into the possibilities, all Solus fires come with 6 programmed themes to highlight some of the fascinating lighting combinations that can be created, these are.





OPTIONAL AMBIENT LIGHTING.

Extend the atmosphere beyond the fire and into the room using a Solus ambient lighting kit, allowing you to create a further interactive dimension to the environment. This additional lighting features 15 colour modes and can be controlled by the appliance remote control or the via your smart device. The kit features a 3 metre length of RGB LED strip light and up to two kits can be simultaneously connected to a Solus appliance, making it the perfect addition to fire suites and media walls.





COPPICE REAL LOG SET TO SUIT
THE HORIZON STOVE



COPPICE REAL LOG SET TO SUIT
LANDSCAPE MODELS

FOR THE ULTIMATE IN PERFECTION, LOOK TO NATURE!

Introducing the Coppice real log set, the definitive upgrade for your Solus appliance. Offering the ultimate in realism, this hand-crafted piece uses specially selected, natural logs to create an authentic latticed fuel bed, complete with forest floor embers. Every Coppice real log set is unique and produced in the UK using locally sourced materials, expertly bonded together to form a single, easy to install product that adds the perfect finishing touch to your fire.

Our Coppice Real Log sets are crafted using natural products and there may be some variances between each fuel bed. We always aim to reproduce the same layout for each set but due to the nature of the products being used there may be variances in the finer details.





INSTANT HEAT AT YOUR FINGERTIPS.

Part of the Solus design ethos is to ensure that all appliances offer clear and simple controllability. Whilst functionality may have advanced and become more dynamic, we believe that intuitive interaction is paramount.

The Solus fires can be conveniently controlled in three ways:

- Manually using the multi-function panel discretely located on the appliance
- With the intuitive remote-control handset
- Through your smart device (such as phone or tablet) using Wi-Fi connectivity

With built in Wi-Fi connectivity, enhance your user experience with our smart app enabling you to control your appliance from anywhere! The app allows you to set tailored programmes, schedule on/off times, set temperatures, design custom light effects, plus much more.

The quick start heat option allows you to select low heat, high heat, or cool blow at the touch of a button. Whilst adaptive smart heating allows you to schedule the exact time and date you wish to heat your room, automatically adjusting the environment to reach and maintain the desired temperature.



INNOVATION, DESIGN & CREATIVITY.

Innovation, flair and creativity is the driving force behind Solus product development. Our design team is passionate about bringing new and exciting ideas to life by pushing the boundaries of traditional electric appliances with the amalgamation of exquisite styling and cutting edge technologies.



SMART TECHNOLOGY.

With Solus, the combination of functionality with applied smart technology creates the ultimate home heating experience. Your appliance will synchronise with your smart device, such as phone or tablet, putting you in complete control. The latest sensor technology helps to create our most efficient appliance ever, ensuring that the room is heated to the correct temperature at the correct time with optimum energy usage.

We are committed to a sustainable future, ensuring that our appliances make the most efficient use of energy. All Solus appliances benefit from temperature detection and regulation technology; if there is sudden drop in room temperature, perhaps caused by an open window or door, the appliance will temporarily deactivate any heating functions to avoid energy wastage and will reactivate when the window or door is closed.



THE COLLECTION.

Create something truly breath-taking with a Solus appliance. Space enhancing, stylish and practical, our appliances are available in a range of shapes and sizes that can be fitted to your exact specification.

- » Realistic flame effect that can be operated with or without heat function.
- » Dynamic fuel bed featuring realistic logs.
- » Easy to use remote control handset.
- » Easy to use App, controlled via your smart device.
- » Variable flame speed.
- » 9 flame effect colour options.
- » 9 fuel bed colour options.
- » 'Favourite' mode to save your preferred flame/fuel bed settings.
- » 2 heat settings - 0.9kW & 1.8kW.
- » Cool blow function.
- » Thermostatic control.
- » Hourly timer mode.
- » 7-day programmable timer with adaptive smart heating.
- » Open window detection mode for optimised energy efficiency.
- » Option for ambient lighting kit.





HORIZON STOVE.

The Horizon uses cutting edge technology and innovation to provide instant heat, realistic flames, and adaptive ambience to your living space to bring you the most authentic electric stove available on the market. This freestanding electric stove offers the ultimate in flexibility for installation, the only requirement is access to a power point.

Seeing is believing. Scan the QR code for a video experience that will change the way you think about electric stoves!



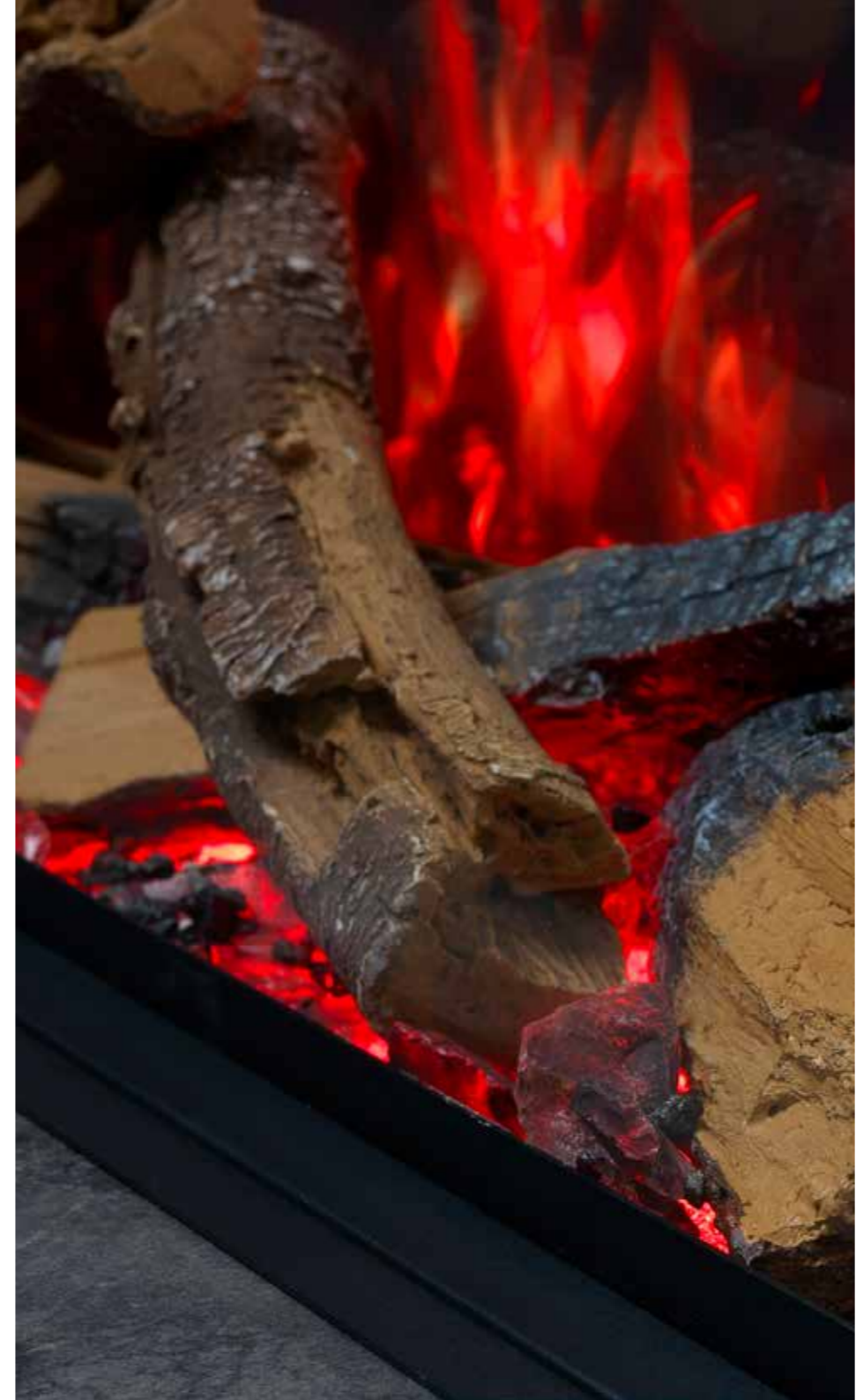
Coppice Real Log upgrade available on this appliance see page 10/11 for details.



VS75.

The VS75 is a versatile fire, perfectly at home in a contemporary setting or more traditional environments. The large glass viewing panel is perfectly suited for use with our modern furniture elements or with a complementing fireplace mantel, bringing a welcome sense of grand stature.

Coppice Real Log upgrade available on this appliance see page 10/11 for details.





VS100.

Add luxury to your living space with the VS100, the ultimate home investment. The VS100 is the smallest of our landscape electric fires at 1 metre in length. With an option of inset, panoramic or corner aspect you will be spoilt for choice when creating your perfect fireplace.

Coppice Real Log upgrade available on this appliance see page 10/11 for details.





ZENITH SUITE.

The classical lines of the Zenith Suite are a beautiful way to enhance any living space. Crafted from Calacatta Honed Sintered Stone, this wonderfully appealing material utilises cutting edge technology to create an irresistible alternative to marble or quartz. The process of sintering takes natural mineral particles and forms them under incredible heat and pressure to produce a strong and durable material that is resistant to scratching, can withstand high temperatures, does not deteriorate, or discolour from UV rays, and is very easy to clean. Calacatta Honed Sintered Stone is an authentically accurate recreation of Calacatta marble with simple grey veining, adding depth to the smooth white finish that just begs to be touched.

Coppice Real Log upgrade available on this appliance see page 10/11 for details.



VS130.

At 1.3 metres in length, the VS130 is ideal for a range of interiors with its minimalist design themes. Add a sense of wonder to your home and bring it to life with the touch of a button.

Coppice Real Log upgrade available on this appliance see page 10/11 for details.





VS150.

Whether you want to update or build a contemporary dream home, the VS150 will transform any room with a sense of luxury. This fire is 1.5 metres in length and can be installed in either inset, panoramic or corner aspect allowing you full creative control.

Coppice Real Log upgrade available on this appliance see page 10/11 for details.





VS180.

When you really want to create an impression, the VS180 really makes an impact. At 1.8 metres in length, this is sure to create an eye catching centrepiece to any room.

Coppice Real Log upgrade available on this appliance see page 10/11 for details.





VS220.

At 2.2 metres in length, the VS220 is the largest fire in the Solus Collection. This elegantly styled landscaped electric fire will fit seamlessly in a range of interiors. It's particularly suited to modern interior design styles. As impressive as it is, you are still in control of every aspect of the fire, from the speed, colour, and brightness of the captivating flames to the enchanting crackling sounds of burning logs.

Coppice Real Log upgrade available on this appliance see page 10/11 for details.





PLINTHS & SHELVES.

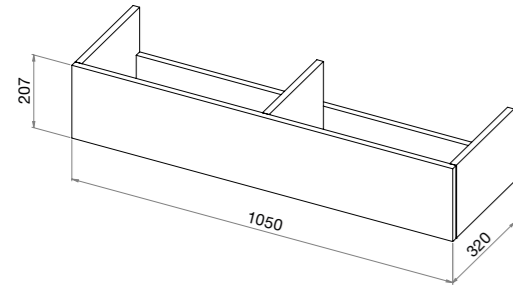
We have created a range of complimentary plinths and shelves flawlessly constructed from high-quality materials.

The classical crafted lines are a beautiful way to enhance any living space. The highly versatile plinths and shelves allow you to mix and match to suit your requirements. Design a unique fireplace offering the ultimate flexible approach by letting you build your fireplace the way you want to, please ask your approved stockists for details.

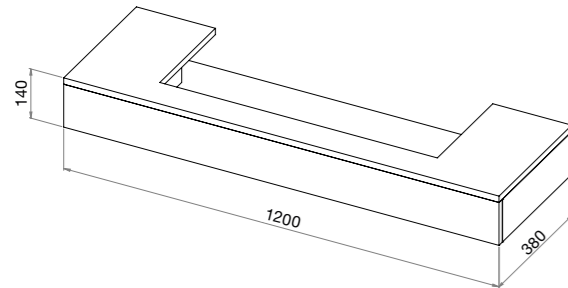
PLINTHS & SHELVES DIMENSIONS.

All dimensions are in millimetres.

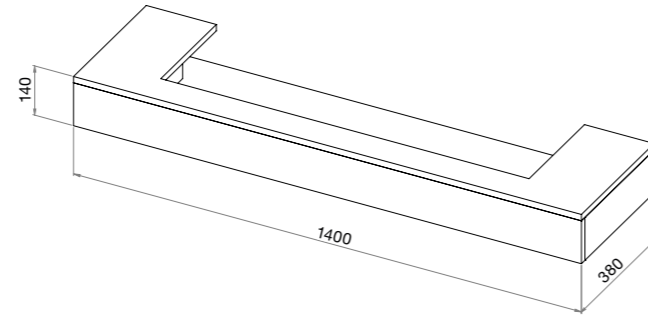
VS75 Floor Plinth



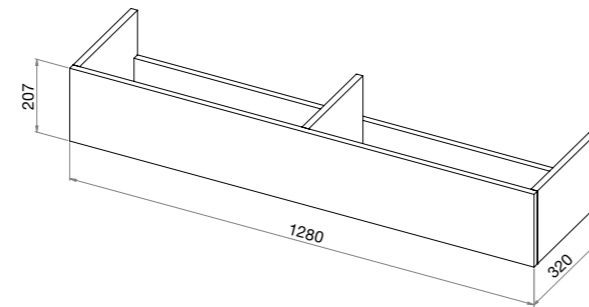
VS75 Bottom Shelf



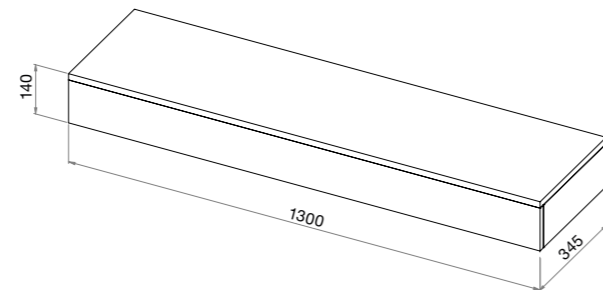
VS100 Bottom Shelf



VS100 Floor Plinth



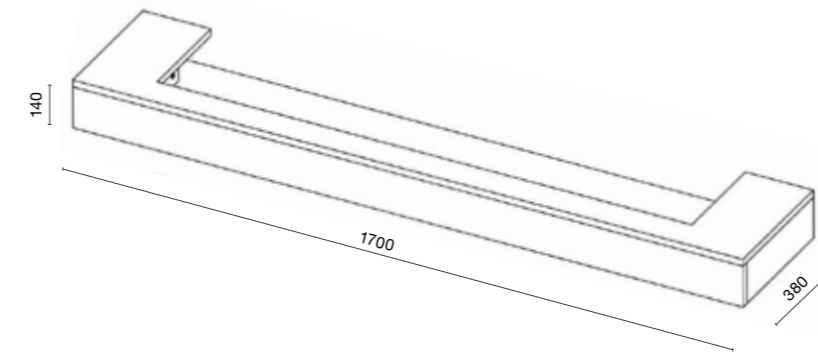
VS100 Top Shelf



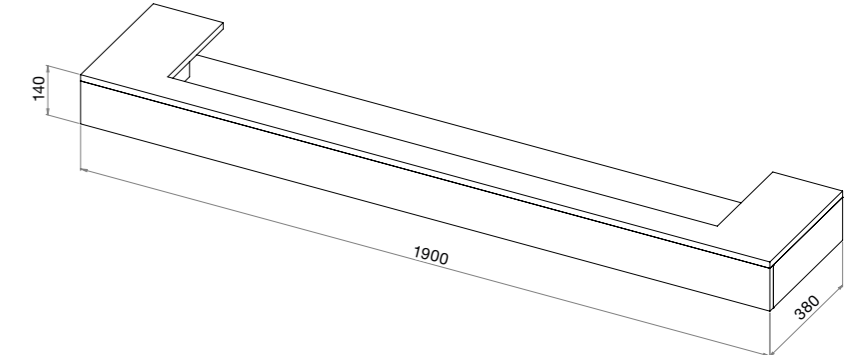
PLINTHS & SHELVES DIMENSIONS.

All dimensions are in millimetres.

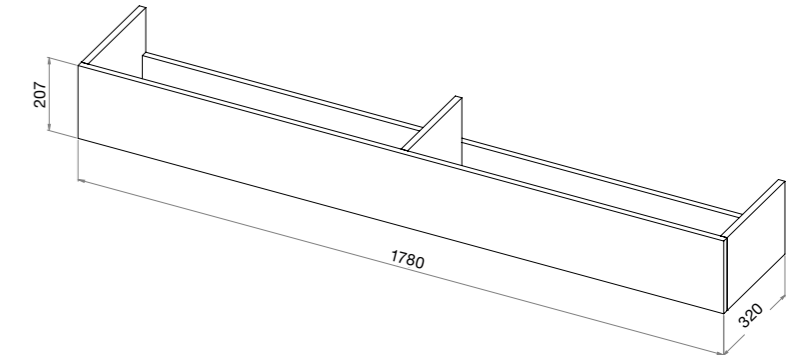
VS130 Bottom Shelf



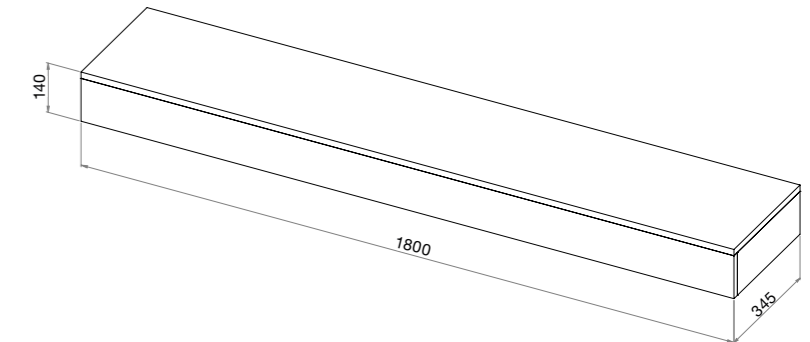
VS150 Bottom Shelf



VS150 Floor Plinth



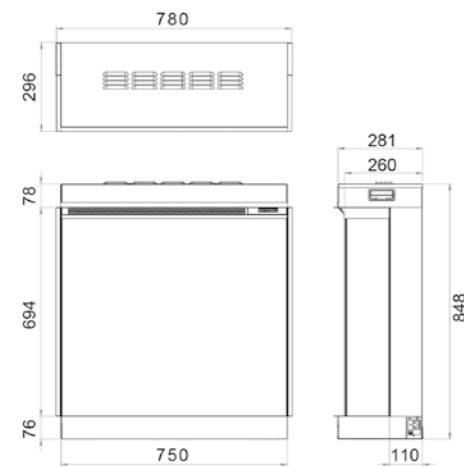
VS150 Top Shelf



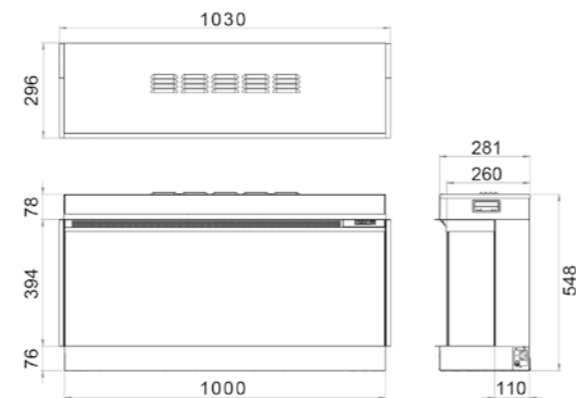
APPLIANCE DIMENSIONS.

All dimensions are in millimetres.

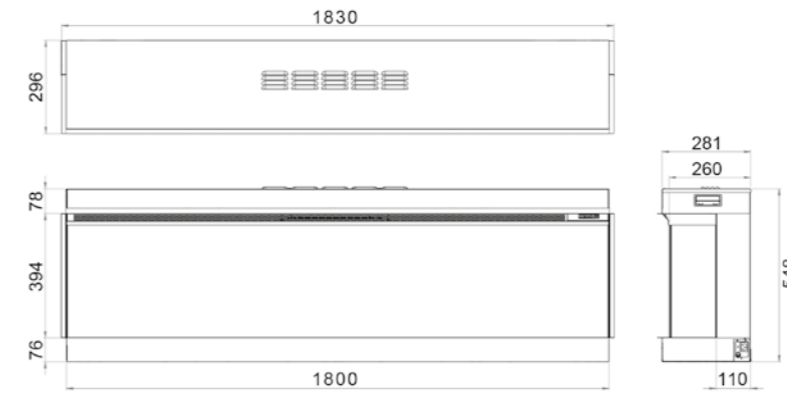
VS75



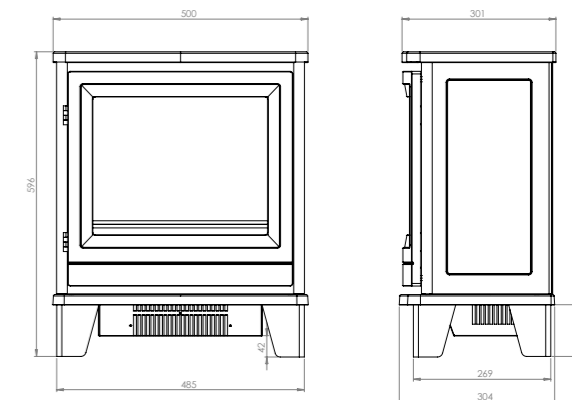
VS100



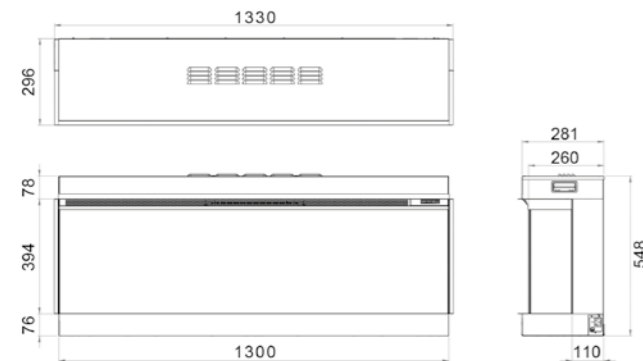
VS180



Horizon Stove



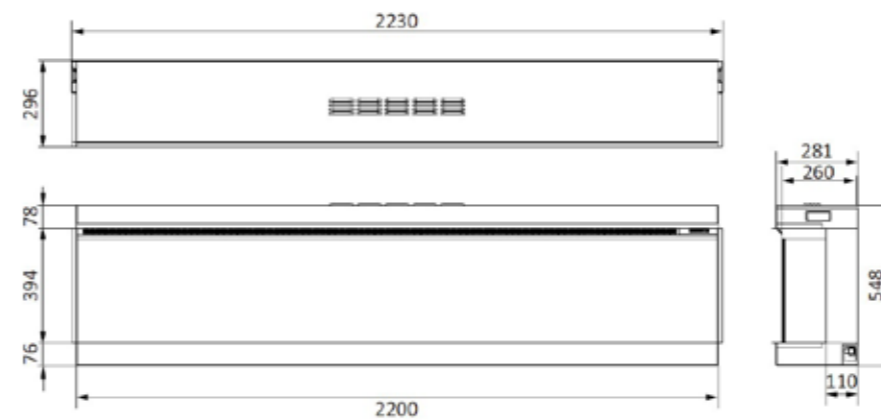
VS130



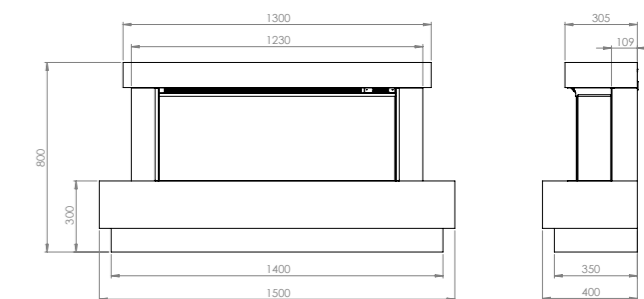
VS150



VS220



Zenith Suite





WARRANTY.

The Solus Collection is built on nearly 70 years of experience in the fireplace industry, using traditional skills alongside modern design methods to create unique, high quality stylish and functional products.

Quality excellence is an integral aspect of all our appliances, our meticulous attention to detail, high standards and quality craftsmanship means you can be confident in choosing a Vision E-Line appliance.

As standard Solus appliances come with a statutory 1-year warranty (parts & labour) when purchased through an authorised dealer. This can be extended for free to two years (parts only for year 2) by registering your appliance within 60 days of purchase. Appliances purchased outside of our authorised dealer network will carry a statutory 1-year non-extendable warranty.

Solus appliances purchased from one of our authorised retailers will also have the additional benefit of upgrading their warranty to 6 years, with our Premium Protect extended warranty. Details and full terms and conditions can be found at visionfires.co.uk

Please visit www.visionfires.co.uk/warranty to register your appliance or activate your extended warranty. Find your nearest solus approved stockist at visionfires.co.uk/vision-e-line-retailers/

BROCHURE PHOTOGRAPHY.

All the images throughout this brochure are for illustrative purposes only. The colours shown in the brochure are as accurate as possible, however some natural materials may vary due to the nature of the products.

DISCLAIMER.

The brochure was correct at the time of printing, we reserve the right to change or withdraw details, prices, or specifications without prior notice. Every effort has been made to ensure the accuracy of information in this brochure. All dimensions are given for your convenience and should only be used as a guide. Colour reproduction is as accurate as current printing methods allow. We cannot be held responsible for changes or matters outside our control.



1ST EDITION **2023-2024**

01204 868 550 | info@visionfires.co.uk | www.visionfires.co.uk