



ENGINEERING
ON FIRE

CHILLI PENGUIN STOVES

CROESO CYNNES PENGUIN



Popty Stout in penguin black

“CROESO CYNNES”

“A WARM WELCOME”



Thank you for taking the time to look at our brochure and a very warm welcome to our world. All of our stoves are made here in Wales and they all exceed the ecodesign criteria, both facts we are very proud of. We have been making stoves since 2001, some of the very first stoves that we made are still in use today. We thank you for your support if you already have a penguin and welcome you to our family if you are just joining us.

All About Us

We are a small family run business located near the **stunning** coastline of the Llŷn Peninsula in North **Wales**. Established in 2001. We now have a network of over 100 carefully selected stockists nationwide. We do not sell our stoves online, but we have an online shop for spares and additional Chilli products. We are committed to UK manufacturing not only because the UK is **good** at it but also every order contributes to the salary of someone **local** to us or someone who we know.

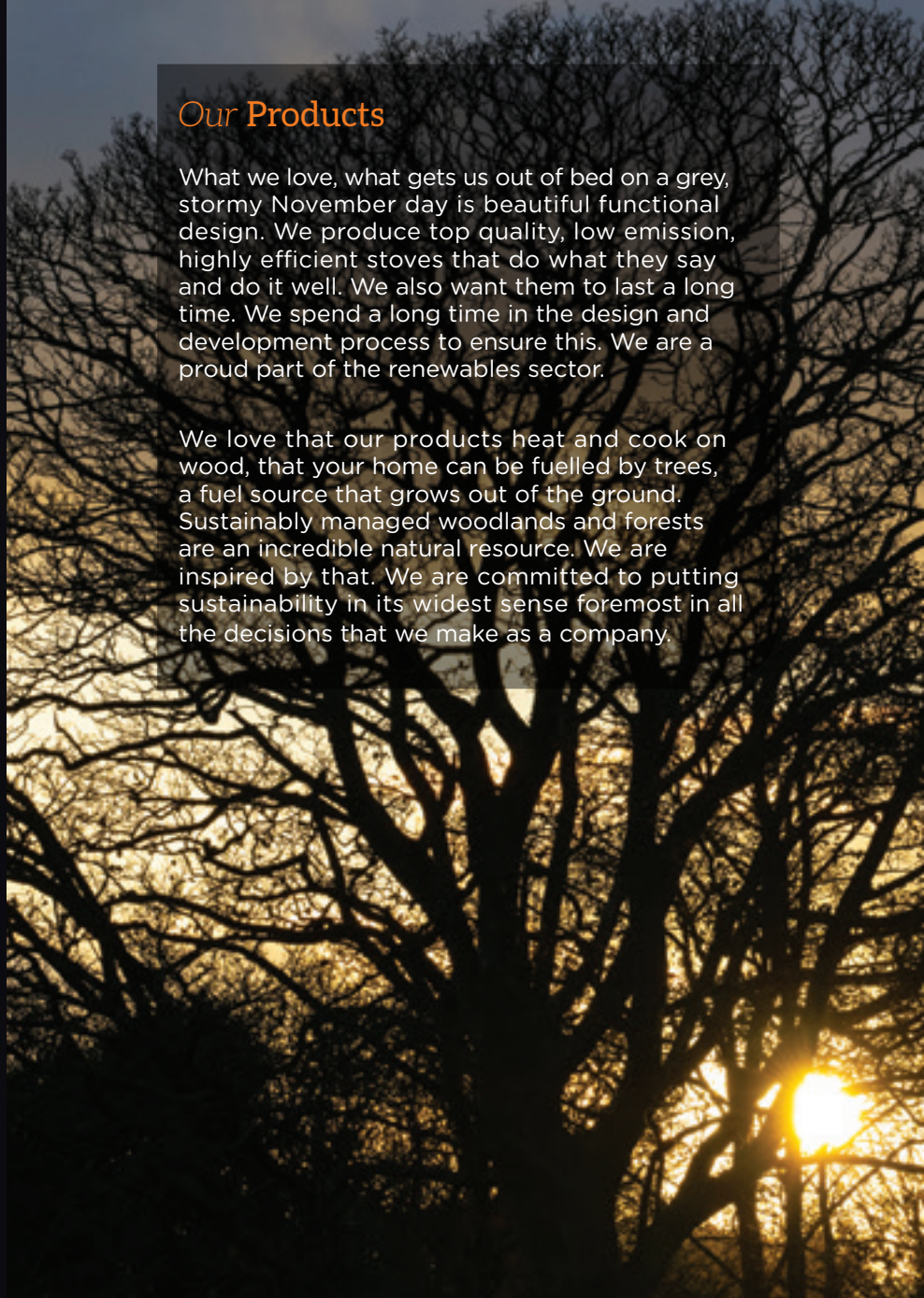
Warm up With

Stove Models	4-5
Stove Information	6-41
Penguin Products	42
FAQs & Warranty	43

Our Products

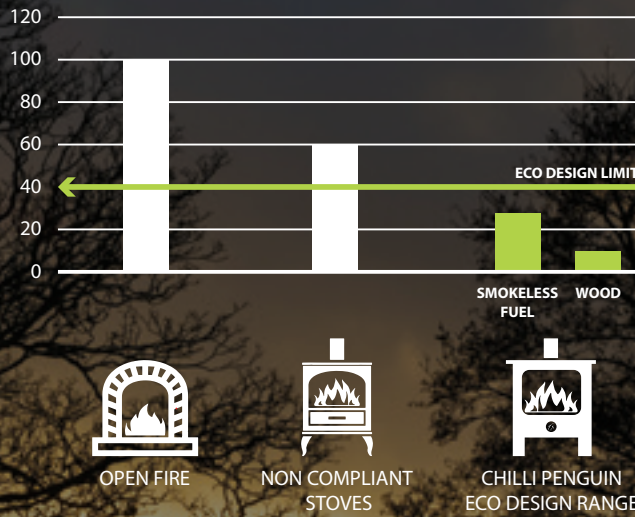
What we love, what gets us out of bed on a grey, stormy November day is beautiful functional design. We produce top quality, low emission, highly efficient stoves that do what they say and do it well. We also want them to last a long time. We spend a long time in the design and development process to ensure this. We are a proud part of the renewables sector.

We love that our products heat and cook on wood, that your home can be fuelled by trees, a fuel source that grows out of the ground. Sustainably managed woodlands and forests are an incredible natural resource. We are inspired by that. We are committed to putting sustainability in its widest sense foremost in all the decisions that we make as a company.



UK STOCKISTS

Particulates in Smoke emissions (mg/m³)



How do we meet Ecodesign requirements?

To achieve high efficiency, low emission burning with a clear view of the fire is a design and engineering challenge that has always excited us. A balance of elements is required, each impacted on each other.

We have used three routes to achieve these standards, catalytic converter (the Woody Eco cat) a combination of features, that increase the time the hot gases remain in the existing firebox (most of the 5kW multi fuel range), a back to the beginning approach stripping the stove firebox right back and re-designing every element for incremental gains.



What is Ecodesign?

The Ecodesign regulations effect most domestic energy related products, including solid fuel stoves. As far as stoves, they specify new seasonal energy efficiency levels and maximum emission requirements. Since the beginning of 2022 all new stoves have had to comply with Ecodesign requirements.

We are proud to have achieved the HETAS Cleaner Choice certification which is a step even further than Ecodesign, it requires at least a 50% improvement on current particulate limits.

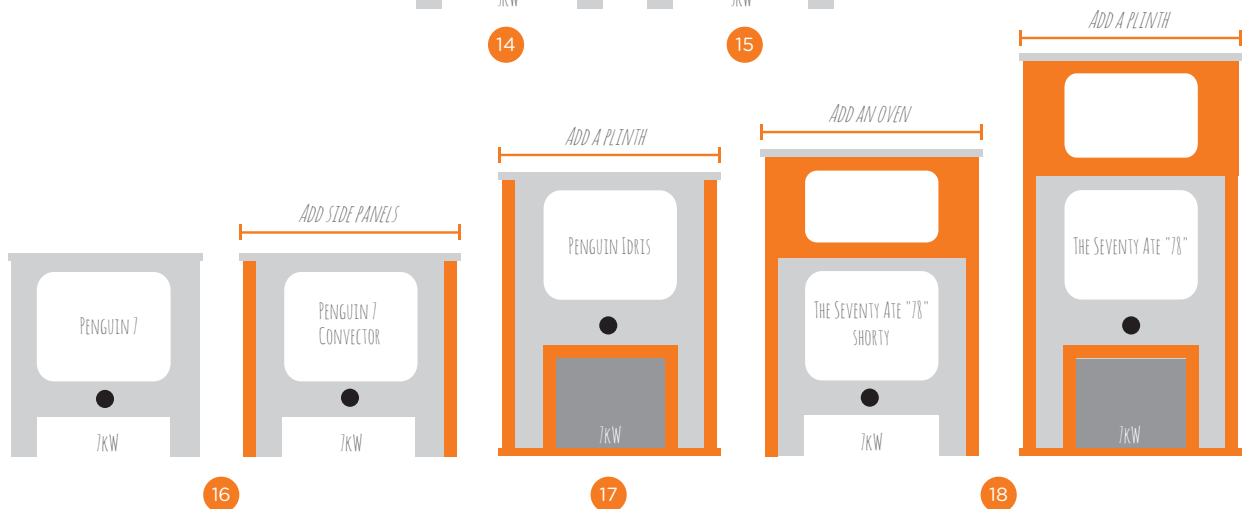
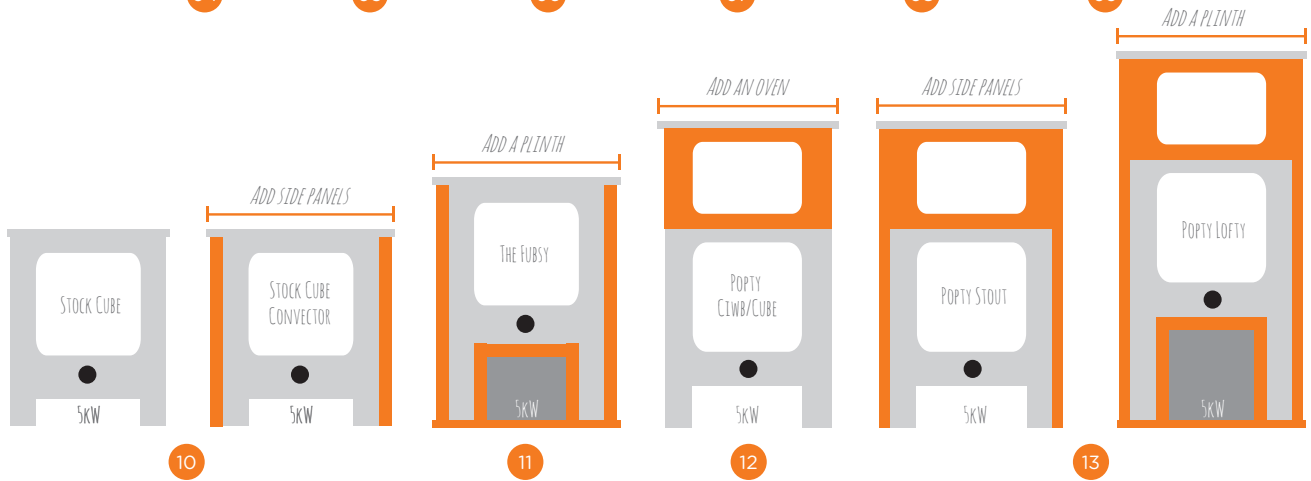
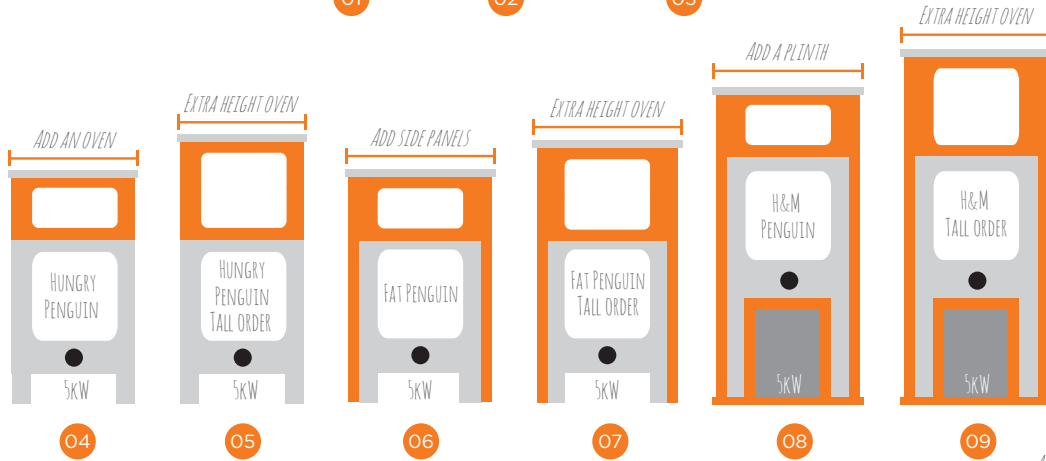
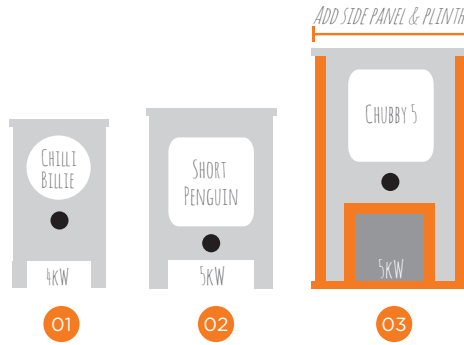


Catalytic Converter (CAT) Technology

The Woody Eco (Cat) uses catalytic converter technology. A catalytic converter consists of a honeycomb type structure with a large surface area which is coated with catalytic materials. As the gases pass over the surface, chemical reactions occur, resulting in changes to the composition of the flue gases. Toxic carbon monoxide and hydrocarbon gases are oxidised into less harmful carbon dioxide and water.

These chemical reactions release heat energy. This is a secondary combustion process, as it raises the temperature of the converter to the point where solid soot particles can be burned. This results in a more complete combustion and therefore less harmful emissions.

TEULU NI OUR FAMILY



RYDYM YN DYLLUNTO AC YN GWETHGYNHYRCHU EIN HOLL STOFFIAU YMA YNG NGHYMRU.

WE DESIGN AND MANUFACTURE ALL OF OUR STOVES HERE IN WALES.

- 01 **The Chilli Billie (Gentoo)**
Stôf Fach Gyda Chalon Fawr
PAGE 6
- 02 **The Short Penguin**
Pengwin Bach
PAGE 8
- 03 **The Chubby 5**
Pengwin Llond Eu Crwyn 5
PAGE 10
- 04 **The Hungry Penguin**
Pengwin Llwglyd
PAGE 12
- 05 **The Hungry Penguin Tall Order**
Pengwin Llwglyd Tal
PAGE 14
- 06 **The Fat Penguin**
Pengwin Tew
PAGE 16
- 07 **The Fat Penguin Tall Order**
Pengwin Tew Tal
PAGE 18
- 08 **The High & Mighty**
Pengwin Bonheddig
PAGE 20
- 09 **The High & Mighty Tall Order**
Pengwin Bonheddig Tal
PAGE 22
- 10 **The Stock Cube & Stock Cube Convector**
Y Ciwb Stoc a Ciwb Stoc Darfudol
PAGE 24
- 11 **The Fussy**
PAGE 26
- 12 **Popty Ciwb/Cube & Popty Stout**
Popty Ciwb/Cube Series
PAGE 28
- 13 **Popty Lofty**
Popty Ciwb/Cube Series
PAGE 30
- 14 **Woody (Cat) wood only**
Dim ond Woody (Cat) pren yn unig
PAGE 32
- 15 **Woody (Multi Fuel)**
Dim ond Woody (Aml Danwydd)
PAGE 34
- 16 **The Penguin 7 & Penguin 7 Convector**
Pengwin Saith a Pengwin Saith Darfudol
PAGE 36
- 17 **The Penguin Idris**
Pengwin Idris
PAGE 38
- 18 **The Seventy Ate "78" & 78 Shorty**
Pengwin Saith Deg Wyth a Pengwin Saith Deg Wyth Bach
PAGE 40



The Chilli Billie (Gentoo)

Stôf Fach Gyda Chalon Fawr

The little stove with a big heart, small but mighty, a flaming wood rocket, a tree fuelled engine.

This is baby of the penguin family in no hurry to grow up, likes chilling out... warming up... drying off and frying up. Found hanging out in small spaces like camping pods, yurts, beach huts, shepherds huts, sheds, studios and cosy cottages. This is the second generation of the Chilli Billie, "the gentoo" and dare we say it... is even better than the original.

What's More

The Chilli Billie (Gentoo) is front loading with a round porthole fire viewing window. You can use the stainless steel top surface for warming food and heating a kettle. There are optional side shelves available to extend the top surface when you want to remove pans from the heat. There are two sliding food tube options, that insert behind the firebox. There is also a selection of heat shielding enclosure options, (round option shown below).



Optional food tube

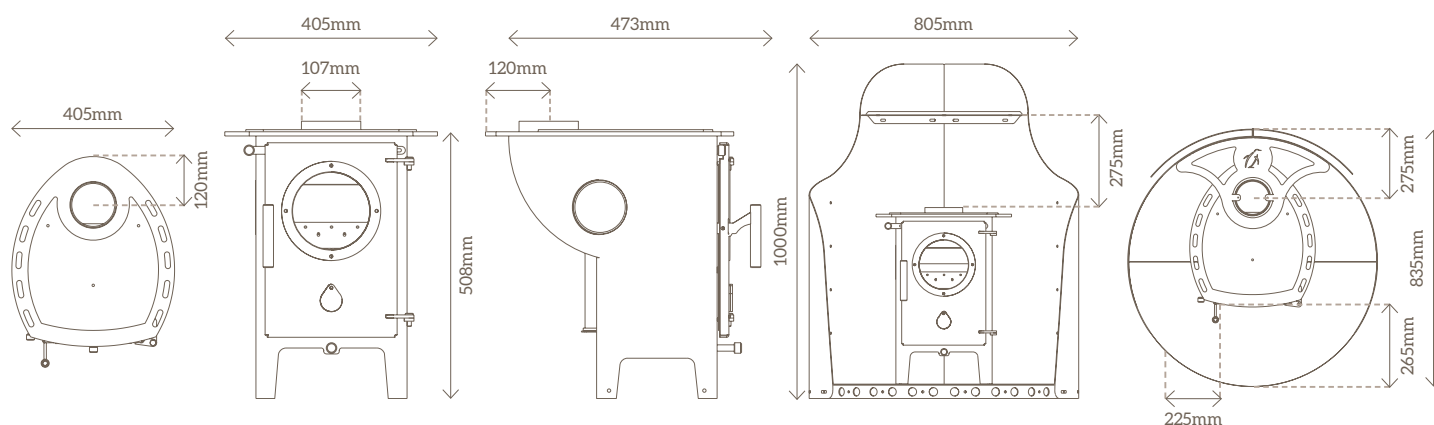


Chilli Billie (Gentoo) in evergreen, in round enclosure

The Tech Details

Nominal Output	4.3kW
Height 508mm Width 405mm Depth 473mm	
Fuel	Wood Only
Flue Collar Size	107mm
Flue Diameter (4-5" adaptor or starter pipe needed)	125mm
*Approved For Use In Smoke Control Zones	
Distance To Combustibles Side 500mm Rear 350mm Above 450mm	
Distance To Non Combustibles Side 100mm Rear 50mm Above 150mm	
Colours Available	Yes
*Passed testing awaiting certification	

The Plans



THE GENTOO...



The Chilli Billie (Gentoo) in charred red

The Short Penguin

Penguin Bach

Small in stature but big on personality.

This fiery little 5kW penguin is designed to fit snugly into a builder's opening but is equally comfortable and utterly sensational free standing. Simple, clean lines, contemporary stainless steel handles, clean burning and highly efficient. This is a stove you will want to come home to.

What's More

The Short Penguin Eco design uses the Chilli Penguin Clean Burn and Air Wash systems. It is designed to burn both wood and smokeless fuel.

Penguin Facts

Air Wash

Pre-heated air is introduced via channels and jets at the back of the firebox and above the door. Air jets are directed onto the top of the glass. This creates a cushion of air, which protects the glass from blackening. This is called air wash.



The Short penguin on a plinth in black



The Tech Details

W

=Wood

SF

=Smokeless Fuel

Nominal Output	W 4.8kW	SF 4.9kW
Efficiency	W 80.6%	SF 80.4%
Particulates @ 13% O ₂	W 36mg/m ³	SF 15mg/m ³
Width 380mm	Depth 367mm	Height 540mm
Height With Plinth	711mm	
Multi-Fuel	Yes	
Approved For Use In Smoke Control Zones	Yes	
Optional Direct Air Kit Available	Yes	
Colours Available	Yes	
Max Log Length x average diameter	270mm x 100mm	
Flue Collar Diameter	127mm	
Flue Size Required	Min 125mm	



The Short Penguin in seal grey

The Tech Details

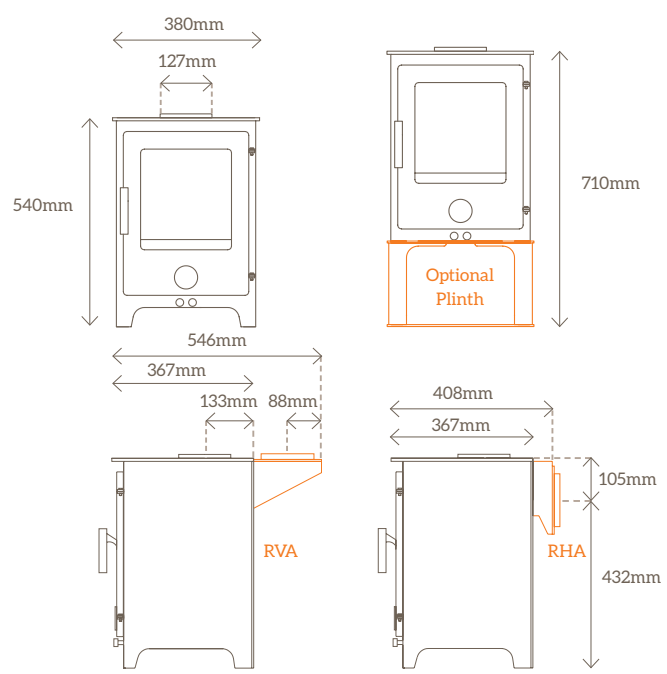
Top Exit	Standard	
Rear Exit Rear Horizontal (RHA)/Vertical Adaptor (RVA) Required		
**Distance To Combustibles With Insulated Flue Fitted to Stove Top		
Side 500mm	Rear 200mm	Above 450mm
*Distance To Non Combustibles		
Side 100mm	Rear 50mm	Above 150mm
Hearth Type No Base Heat Shield / Plinth	Constructional	
Hearth With Base Heat Shield / Plinth	12mm	
Tested to EN13240:2001 & EN13240A2:2004		

*These are minimum distances, be aware that there are other considerations eg. access for sweeping, height of kettle
 +If single walled flue is used then the distance to combustibles at the rear is equal to 3 x flue diameter (document J)



Call: 01758 721 247

The Plans



The Chubby 5

Penguin Llond Eu Crwyn 5

Five kW of chubby loveliness.

If you appreciate the tight athleticism of the Short Penguin but crave the heartiness of a rugby player, then this is the stove for you.

This stove has the same fire box as the Short Penguin but it has grown in height and girth. The Chubby has an integral plinth which gives it the additional height and side convector panels which give it the extra width. This penguin has a big belly and big heart to match.



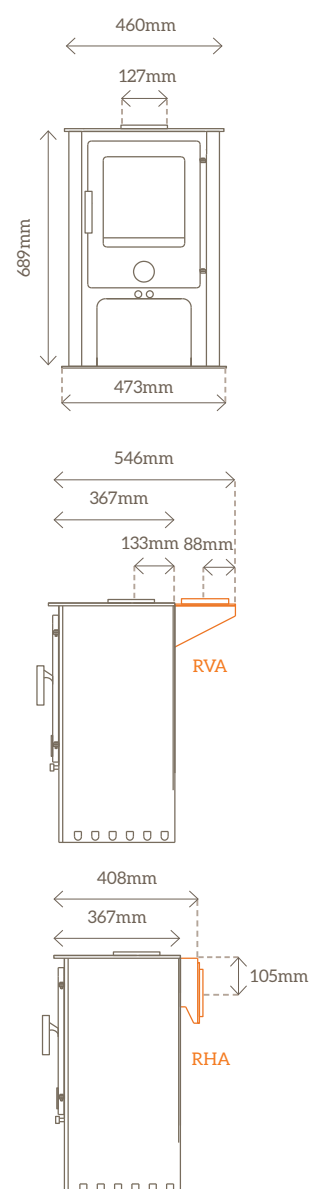
The Tech Details W =Wood SF =Smokeless Fuel

Nominal Output	W 4.8kW	SF 4.9kW
Efficiency	W 80.6%	SF 80.4%
Particulates @ 13% O2	W 36mg/m ³	SF 15mg/m ³
Width 460mm	Depth 367mm	Height 689mm
Multi-Fuel	Yes	
Approved For Use In Smoke Control Zones	Yes	
Optional Direct Air Kit Available	Yes	
Colours Available	Yes	
Max Log Length x average diameter	270mm x 100mm	
Flue Collar Diameter	127mm	
Flue Size Required	Min 125mm	
Top Exit	Standard	
Rear Exit	Rear Horizontal (RHA) / Vertical Adaptor (RVA) Required	
**Distance To Combustibles With Insulated Flue Fitted to Stove Top		
Side 250mm	Rear 200mm	Above 450mm
*Distance To Non Combustibles		
Side 100mm	Rear 50mm	Above 150mm
Hearth Type	12mm	
Tested to EN13240:2001 & EN13240A2:2004		

*These are minimum distances, be aware that there are other considerations eg. access for sweeping, height of kettle
+If single walled flue is used then the distance to combustibles at the rear is equal to 3 x flue diameter (document J)

**UK
CA**

The Plans



CHUNKY MONKEY...



The Chubby 5 in seal grey

The Hungry Penguin

Penguin Llwglyd

The original Chilli Penguin, the one that started the company.

This stove does it all, it keeps you warm, cooks your dinner and boils your kettle for a cup of tea. It's ideal for canal boats, studios and homes where you don't want to be wholly dependant on mains gas and electricity, or if you just want to cook for free.



The Hungry Penguin in black



Hungry Penguin in black

What's More

If you are trying to reduce your carbon footprint or your fuel bill, being able to heat and cook from the same fuel load makes a lot of sense. If you want that smug feeling of warm toes and a hot pasty we're not going to stop you. It is a different experience to cooking with flick-a-switch power... but you're off grid and the stoves on anyway!

Penguin Facts

Cooking on a penguin

All our cooker models have an oven box and top plate. The oven temperature can reach up to 280°C, but it will tick over comfortably between 140-180°C. You can fit a small saucepan and kettle on the top plate. An extra height oven is also available.

The Tech Details

	W =Wood	SF =Smokeless Fuel
Nominal Output	4.7kW	4.8kW
Efficiency	81.2%	87%
Particulates @ 13% O2	33mg/m ³	12mg/m ³
Width 380mm	Depth 367mm	Height 683mm
Internal Oven Dimension	Width 250mm	Depth 220mm
		Height 100mm
Multi-Fuel	Yes	
Approved For Use In Smoke Control Zones	Yes	
Optional Direct Air Kit Available	Pre-fitted Yes	
Colours Available	Yes	
Max Log Length x average diameter	270mm x 100mm	
Flue Collar Diameter	127mm	
Flue Size Required	Min 125mm	



The Hungry Penguin in black with twin walled flue fitted to stove surface

The Tech Details

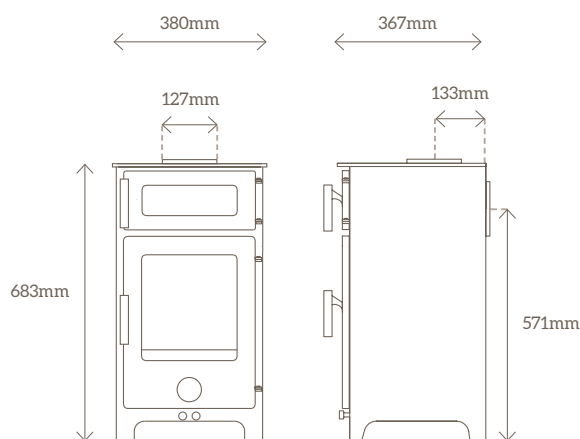
Top Exit	Standard	
Rear Exit	Fit flue collar to rear	
**Distance To Combustibles With Insulated Flue Fitted to Stove Top	Side 550mm	Rear 250mm
		Above 450mm
*Distance To Non Combustibles	Side 100mm	Rear 50mm
		Above 150mm
Hearth Type	No Base Heat Shield / Plinth	Constructional
Hearth With Base Heat Shield / Plinth	12mm	
Tested to EN13240:2001 & EN13240A2:2004		

*These are minimum distances, be aware that there are other considerations eg. access for sweeping, height of kettle
 +If single walled flue is used then the distance to combustibles at the rear is equal to 3 x flue diameter (document J)



Call: 01758 721 247

The Plans



The Hungry Penguin (Tall Order)

Penguin Llwglyd (Tal)

This stove is a variation of the Hungry Penguin.

Bake someone happy.

This stove has all the features of the Hungry Penguin but has a taller oven box, ideal for bakers and bread makers, lovers of sticky cakes and savoury bakes. This stove does it all, keeps you toasty, cooks for you and even warms the water for your coffee afterwards.

What's More

All of our cooker models have an oven box and top plate (oven top surface). The Hungry Penguin (tall order) comes with a stainless steel oven bottom trivet, to put cooking dishes on and a removable oven shelf. The oven temperature can reach up to 280°C, but it will tick over comfortably between 140-180°C. You can fit a small saucepan and kettle on the top plate.

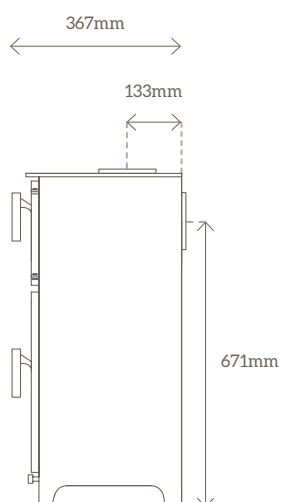
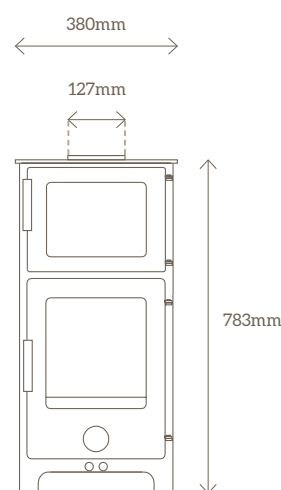
The Tech Details W =Wood SF =Smokeless Fuel

Nominal Output	W 4.7kW	SF 4.8kW
Efficiency	W 81.2%	SF 87%
Particulates @ 13% O2	W 33mg/m ³	SF 12mg/m ³
Width 380mm	Depth 367mm	Height 783mm
Internal Oven Dimension		
Width 250mm	Depth 220mm	Height 200mm
Multi-Fuel	Yes	
Approved For Use In Smoke Control Zones	Yes	
Optional Direct Air Kit Available	Yes	
Colours Available	Yes	
Max Log Length x average diameter	270mm x 100mm	
Flue Collar Diameter	127mm	
Flue Size Required	Min 125mm	
Top Exit	Standard	
Rear Exit	Fit flue collar to rear	
**Distance To Combustibles With Insulated Flue Fitted to Stove Top		
Side 550mm	Rear 250mm	Above 450mm
*Distance To Non Combustibles		
Side 100mm	Rear 50mm	Above 150mm
Hearth Type No Base Heat Shield / Plinth	Constructional	
Hearth With Base Heat Shield / Plinth	12mm	
Tested to EN13240:2001 & EN13240A2:2004		

*These are minimum distances, be aware that there are other considerations eg. access for sweeping, height of kettle

+If single walled flue is used then the distance to combustibles at the rear is equal to 3 x flue diameter (document J)

The Plans





CONFIDENTLY SELF-SUFFICIENT

The Hungry Penguin (Tall Order) in seal grey

The Fat Penguin

Penguin Tew

When something smaller just won't do.

The Fat Penguin has all the features of the Hungry Penguin. It will warm you, feed you and make you a brew but it's even bigger. The output is still 5kW but this is a bigger, bolder penguin. Strong, simple lines, clear view of the roaring fire. Gorgeous in green, confident in black, radiant in red.

What's More

The Fat Penguin has all the features of the Hungry Penguin. It has a 5kW fire box, top oven and side convector panels. The convector panels create a circulation of warm air in the room. The extra width means a bigger top plate so if you are cooking on it you will have more room. An extra height oven version is also available, called the Fat Penguin (tall order).

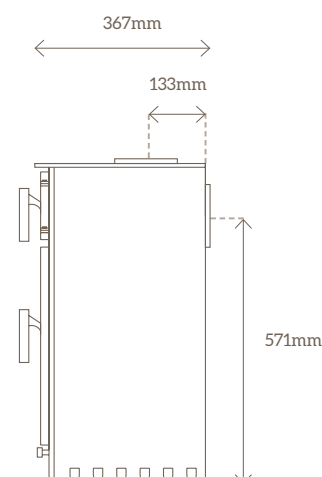
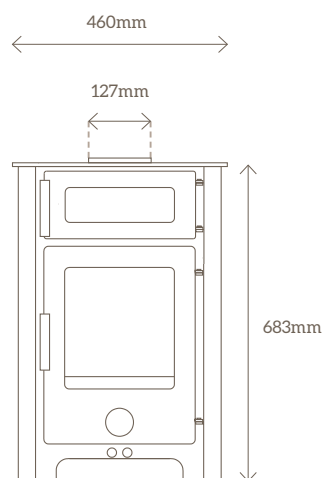
The Tech Details W =Wood SF =Smokeless Fuel

Nominal Output	W 4.7kW	SF 4.8kW
Efficiency	W 81.2%	SF 87%
Particulates @ 13% O ₂	W 33mg/m ³	SF 12mg/m ³
Width 460mm	Depth 367mm	Height 683mm
Internal Oven Dimension		
Width 250mm	Depth 220mm	Height 100mm
Multi-Fuel	Yes	
Approved For Use In Smoke Control Zones	Yes	
Optional Direct Air Kit Available	Yes	
Colours Available	Yes	
Max Log Length x average diameter	270mm x 100mm	
Flue Collar Diameter	127mm	
Flue Size Required	Min 125mm	
Top Exit	Standard	
Rear Exit	Fit flue collar to rear	
**Distance To Combustibles With Insulated Flue Fitted to Stove Top		
Side 250mm	Rear 250mm	Above 450mm
*Distance To Non Combustibles		
Side 100mm	Rear 50mm	Above 150mm
Hearth Type No Base Heat Shield	Constructional	
Hearth With Base Heat Shield	12mm	
Tested to EN13240:2001 & EN13240A2:2004		

*These are minimum distances, be aware that there are other considerations eg. access for sweeping, height of kettle

+If single walled flue is used then the distance to combustibles at the rear is equal to 3 x flue diameter (document J)

The Plans



The Fat Penguin in charred red

BIG, FAT & BEAUTIFUL



The Fat Penguin (Tall Order)

Penguin Tew (Tal)

This stove is a variation of the Fat Penguin.

Fat, fit , fabulous foodie.

This stove has all the features of the Fat Penguin but has a taller oven box, ideal for herby winter casseroles, slow roasted veg and the crumbliest of crumbles. Like the Fat penguin it is a convector stove.

What's More

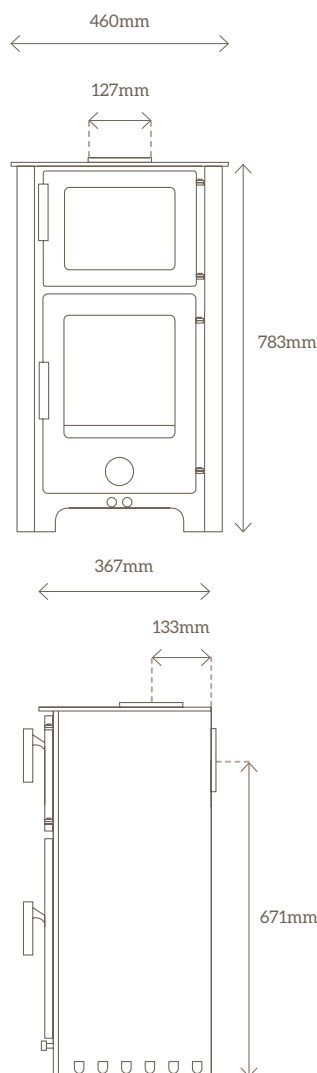
Like all the tall order penguins, this comes with a stainless steel oven bottom trivet, to put cooking dishes on and a removable oven shelf, giving you two cooking positions and reaches oven temperature very close to normal domestic ovens. Due to the convector panels there is a wider top plate to place kettles and pans on.

The Tech Details W =Wood SF =Smokeless Fuel

Nominal Output	W 4.7kW	SF 4.8kW
Efficiency	W 81.2%	SF 87%
Particulates @ 13% O2	W 33mg/m ³	SF 12mg/m ³
Width 460mm	Depth 367mm	Height 783mm
Internal Oven Dimension		
Width 250mm	Depth 220mm	Height 200mm
Multi-Fuel	Yes	
Approved For Use In Smoke Control Zones	Yes	
Optional Direct Air Kit Available	Yes	
Colours Available	Yes	
Max Log Length x average diameter	270mm x 100mm	
Flue Collar Diameter	127mm	
Flue Size Required	Min 125mm	
Top Exit	Standard	
Rear Exit	Fit flue collar to rear	
**Distance To Combustibles With Insulated Flue Fitted to Stove Top		
Side 250mm	Rear 250mm	Above 450mm
*Distance To Non Combustibles		
Side 100mm	Rear 50mm	Above 150mm
Hearth Type No Base Heat Shield	Constructional	
Hearth With Base Heat Shield	12mm	
Tested to EN13240:2001 & EN13240A2:2004		

*These are minimum distances, be aware that there are other considerations eg. access for sweeping, height of kettle
 +If single walled flue is used then the distance to combustibles at the rear is equal to 3 x flue diameter (document J)

The Plans



BOUNTIFUL & BELLY FULL



The Fat Penguin (Tall Order) in charred red

The High & Mighty

Penguin Bonheddig

It is possible that this stove has its nose in the air, just a touch and with a smile.

This stove perhaps does have its nose in the air, just a touch. It feels a little superior with its elevated height, oven box, generous top plate, convection panel sides and integral log plinth. It feels it offers everything : stature, personality, function and more than a little charm. This is truly a Penguin amongst penguins.



The High & Mighty in charred red



What's More

This stove began life as a Fat Penguin but then it kept on growing. In order to accommodate the log plinth the side convection panels had to be extended. When we saw it's new body, it seemed to take on a personality all of its own so we decided to give it its own name. This is a high functioning stove... and it knows it. An extra height oven version is also available.

Penguin Facts

Convection panels

The side convection panels draw cold air in from the bottom of the stove, as the air is heated next to the body of the stove, it rises creating a flow of warm air.



The Tech Details

	W =Wood	SF =Smokeless Fuel	
Nominal Output	4.7kW	4.8kW	
Efficiency	81.2%	87%	
Particulates @ 13% O2	33mg/m ³	12mg/m ³	
Width 460mm	Depth 367mm	Height 908mm	
Internal Oven Dimension	Width 250mm	Depth 220mm	Height 200mm
Multi-Fuel	Yes		
Approved For Use In Smoke Control Zones	Yes		
Optional Direct Air Kit Available	Yes		
Colours Available	Yes		
Max Log Length x average diameter	270mm x 100mm		
Flue Collar Diameter	127mm		
Flue Size Required	Min 125mm		

Glamorgan Sausages

4oz strong cheddar grated
 4oz white breadcrumbs
 1 onion chopped
 1 tsp mustard
 1 tbsp chopped parsley
 Thyme to taste
 Salt and pepper
 3 eggs
 Dried breadcrumbs to coat
 Oil

Combine 2 eggs, mustard, parsley, thyme, salt and pepper. Add breadcrumbs, cheese and onion. Mix well, form into sausages. Coat in egg and breadcrumbs, fry and eat.

Enjoy



The High & Mighty in seal grey

TALL, HANDSOME,
 SMUG AS A SAUSAGE.

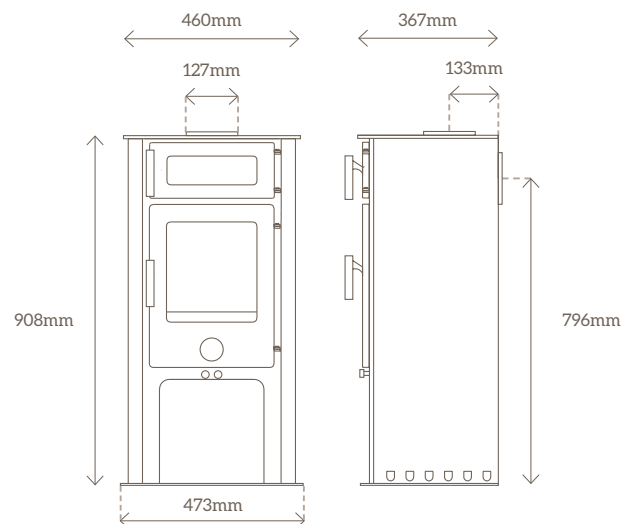
The Tech Details

Top Exit	Standard	
Rear Exit	Fit flue collar to rear	
**Distance To Combustibles With Insulated Flue Fitted to Stove	Top Side 250mm	Rear 250mm
		Above 450mm
*Distance To Non Combustibles	Side 100mm	Rear 50mm
		Above 150mm
Hearth Type	12mm	
Tested to EN13240:2001 & EN13240A2:2004		

*These are minimum distances, be aware that there are other considerations eg. access for sweeping, height of kettle
 +If single walled flue is used then the distance to combustibles at the rear is equal to 3 x flue diameter (document J)



The Plans



The High & Mighty (Tall Order)

Penguin (Tal) Bonheddig

This stove is a variation of the High & Mighty.

Head and shoulders above the rest.

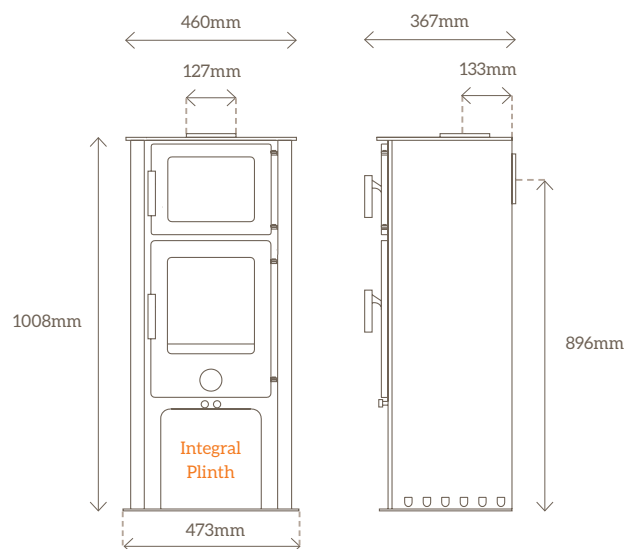
This stove began with a phone call, “this might be a tall order but can you make me a stove with taller oven, I want to bake bread in it”. The tall order High and Mighty was born. For all you bakers and breadmakers, home cooks and never cooked before, lovers of buttery pies, gooey cookies and home made loaves... this is your stove.



The High & Mighty (Tall Order) in storm blue



The Plans



The Tech Details

W = Wood SF = Smokeless Fuel

Nominal Output	W 4.7kW	SF 4.8kW
Efficiency	W 81.2%	SF 87%
Particulates @ 13% O ₂	W 33mg/m ³	SF 12mg/m ³
Width 460mm	Depth 367mm	Height 1008mm
Internal Oven Dimension	Width 250mm	Depth 220mm
		Height 200mm
Multi-Fuel	Yes	
Approved For Use In Smoke Control Zones	Yes	
Optional Direct Air Kit Available	Yes	
Colours Available	Yes	
Max Log Length x average diameter	270mm x 100mm	
Flue Collar Diameter	127mm	
Flue Size Required	Min 125mm	
Top Exit	Standard	
Rear Exit	Fit flue collar to rear	
**Distance To Combustibles With Insulated Flue Fitted to Stove	Side 250mm	Rear 250mm
		Above 450mm
*Distance To Non Combustibles	Side 100mm	Rear 50mm
		Above 150mm
Hearth Type	12mm	
Tested to EN13240:2001 & EN13240A2:2004		

*These are minimum distances, be aware that there are other considerations eg. access for sweeping, height of kettle

+If single walled flue is used then the distance to combustibles at the rear is equal to 3 x flue diameter (document J)

Cheese Scones

450g (1lb) wholemeal flour
2tbsp baking powder
Pinch of cayenne
Pinch of salt
50g (2oz) butter
300g (10z) cheddar cheese - grated
284ml milk

Put the flour, baking powder, salt and cayenne in a bowl, rub in the butter until crumb-like. Stir in 225g of the cheese and enough milk to make a soft dough. Knead gently, then roll out to 2.5cm thickness. Stamp out 7.5cm rounds with a cutter. Brush with milk and sprinkle with the remaining cheese. Once the oven has settled at about 200°C / 400°F, pop them in for about 20 mins.

Enjoy



IT'S A TALL ORDER

The Stock Cube & Stock Cube Convector

Y Ciwb Stoc a Ciwb Stoc Darfudol

Fair & Square.

This penguin is clear, determined, honest and single minded. It doesn't compromise, it is a wood burner only. It is built to be strong, simple, efficient and clean burning. If you want a 5kW wood burner, squarer and deeper than our Woody.. this could be your penguin. This penguin will be a true and honest friend, to warm you on those chilli winter nights. A convector version is also available (pictured).

The Tech Details

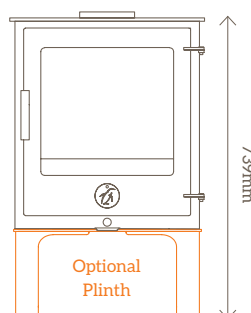
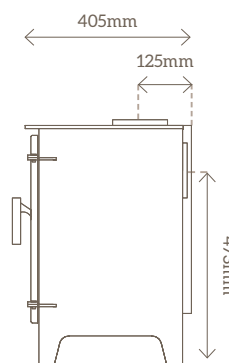
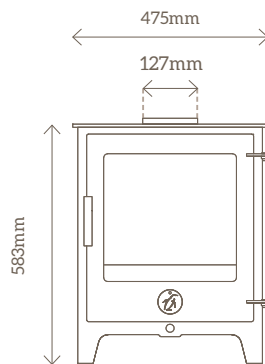
Nominal Output	4.8kW
Efficiency	76.9%
Particulates @ 13% O ₂	27mg/m ³
Stock Cube	Width 475mm Depth 405mm Height 583mm
SC Convector	Width 555mm Depth 405mm Height 583mm
Fuel	Wood Only
Approved For Use In Smoke Control Zones	Yes
Optional Direct Air Kit Available	Yes
Colours Available	Yes
Max Log Length x average diameter	300mm x 100mm
Flue Collar Diameter	127mm
Flue Size Required	Min 125mm
Top Exit	Standard
Rear Exit	Fit blanking plate to top exit
**Distance To Combustibles With Insulated Flue Fitted to Stove Top	Stock Cube Side 500mm Rear 150mm Above 500mm
**Distance To Combustibles With Insulated Flue Fitted to Stove Top	SC Convector Side 300mm Rear 150mm Above 500mm
*Distance To Non Combustibles	Side 100mm Rear 50mm Above 150mm
Hearth Type	12mm
Tested to EN 13240:2001, EN 13240-A2 2004 & BS 3841-2:1994	

*These are minimum distances, be aware that there are other considerations eg. access for sweeping, height of kettle

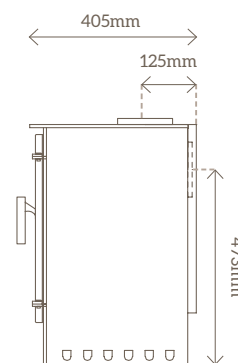
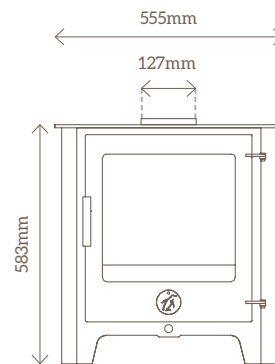
+If single walled flue is used then the distance to combustibles at the rear is equal to 3 x flue diameter (document J)



The Plans



The Plans (Convector)



What's More

The Stock Cube is a wood only stove. The wood sits right on the vermiculite bricks on the base of the stove, there is no need for a grate. It has a generous fire box, sized for logs 300mm long and an even more generous piece of glass, offering you a wonderful clear view of the roaring fire.



The Stock Cube in seal grey

IT'S COOL TO BE SQUARE



Stock Cube Convector in penguin black

The Fubsy

It's raining, it's pouring, the Fubsy is roaring.

This penguin started life as the Stock Cube, it was then developed into a convector model, and an integral plinth was added, so effectively a Stock Cube in extra large. It has all the qualities of the Stock Cube; strong, simple, efficient and clean burning. The Fubsy just gives you more to love... not only wider, but taller.

The Tech Details

Nominal Output	4.8kW	
Efficiency	76.9%	
Particulates @ 13% O2	27mg/m ³	
Width 555mm	Depth 405mm	Height 714mm
Fuel	Wood Only	
Approved For Use In Smoke Control Zones	Yes	
Optional Direct Air Kit Available	Yes	
Colours Available	Yes	
Max Log Length x average diameter	300mm x 100mm	
Flue Collar Diameter	127mm	
Flue Size Required	Min 125mm	
Top Exit	Standard	
Rear Exit	Fit blanking plate to top exit	
*+Distance To Combustibles With Insulated Flue Fitted to Stove Top	Side 300mm	Rear 150mm Above 500mm
*Distance To Non Combustibles	Side 100mm	Rear 50mm Above 150mm
Hearth Type	12mm	
Tested to EN 13240:2001, EN 13240-A2 2004 & BS 3841-2:1994		

*These are minimum distances, be aware that there are other considerations eg. access for sweeping, height of kettle
 +If single walled flue is used then the distance to combustibles at the rear is equal to 3 x flue diameter (document J)



What's More

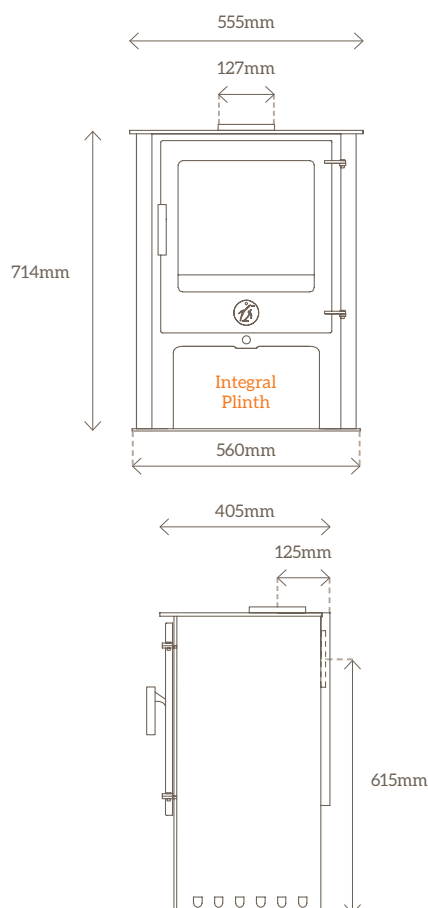
We couldn't resist the name Fubsy. It comes from an old English word meaning "a short stature with a wide girth", or "short and stout". Who could walk past a Fubsy? It makes you want to dawdle, pause a while, fluff up a cushion, get a book, fill a glass.

Penguin Facts

Convector panels

Although often chosen for the look and large top plate which offers a wider surface for placing a kettle on, the convector panels makes these stoves particularly effective for heating large, well insulated rooms.

The Plans



FEARLESSLY CLEAR



The Fussy in seal grey

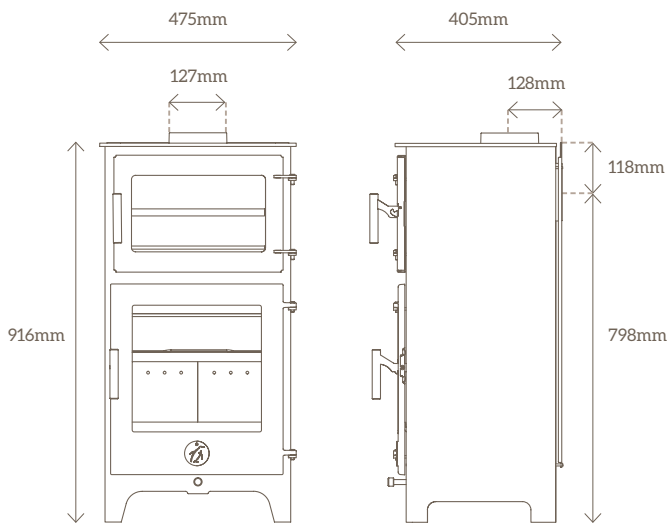
Popty Ciwb & Popty Stout

Popty Ciwb/Cube Series

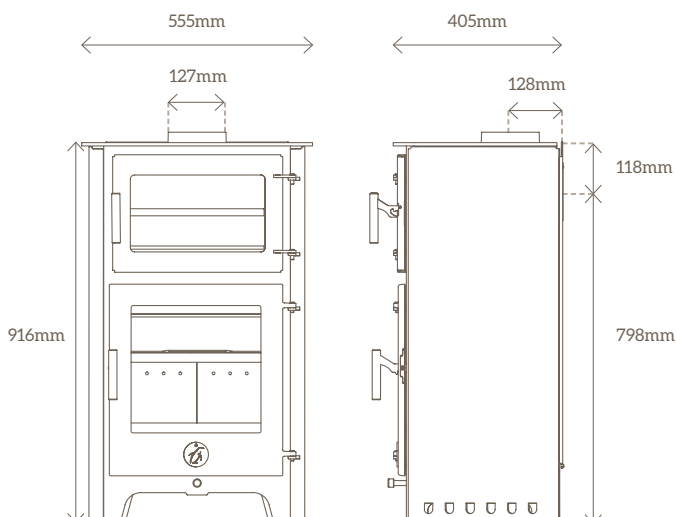
From 'popty' to plate, it's all about taste.

Introducing the Popty Ciwb or (oven cube) wood fired cooker stove. It's based on the popular Stock Cube fire box, with the addition of a top oven and top plate for pans and kettles. It sits in happily in between its more compact Hungry Penguin cousins and the bigger 78, oven members of the family. It is comfortable and at ease with itself sitting in the middle of the family. This is a gloriously chilled chilli. This penguin will be cooking your wood fired melty pizzas, crusty bread, bakes and stews while comfortably warming your heart and your home... and making it look so easy. We also have a convector version, called the Popty Stout, it's stout and it's proud.

The Plans (Popty Ciwb)



The Plans (Popty Stout)



The Tech Details

Nominal Output	5kW		
Efficiency	82.4%		
Particulates @ 13% O ₂	35mg/m ³		
Ciwb	Width 475mm	Depth 405mm	Height 916mm
Stout	Width 555mm	Depth 405mm	Height 916mm
**Internal Oven Dimension (Excluding Shelves)			
	Width 350mm	Depth 215mm	Height 200mm
Fuel	Wood Only		
Approved For Use In Smoke Control Zones	Yes		
Optional Direct Air Kit Available	Yes		
Colours Available	Yes		
Max Log Length x average diameter	300mm x 100mm		
Flue Collar Diameter	127mm		
Flue Size Required	Min 125mm		
Top Exit	Standard		
Rear Exit	Fit blanking plate to top exit		
**Distance To Combustibles With Insulated Flue Fitted to Stove Top			
Side	400mm	Rear	100mm
			Above 500mm
*Distance To Non Combustibles			
Side	100mm	Rear	50mm
			Above 150mm
Hearth Type	12mm		
Tested to EN13240:2001 / EN13240-A2 2004 / BS3841-2:1994			

*These are minimum distances, be aware that there are other considerations eg. access for sweeping, height of kettle
+If single walled flue is used then the distance to combustibles at the rear is equal to 3 x flue diameter (document J)
**Shelf supports inside oven, protrude 20mm on both sides, plus 50mm slope at rear of oven





The Popty Ciwb in seal grey

GREAT BAKES OF FIRE...



The Popty Stout in penguin black



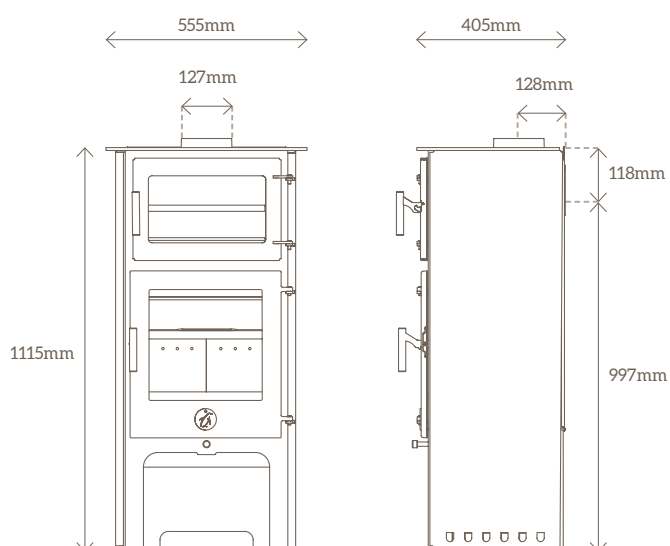
Popty Lofty

Popty Ciwb/Cube Series

Reaching new lofty heights.

The Popty Lofty is taking the Popty to the next level, literally, with an integrated log plinth and 5kW of lofty firey power to heat your space. The Lofty is unashamedly ambitious. It is the tallest in the Popty wood fired family, providing an oven for cooking, a generous fire box for heating and storage place for your wood. It's everything you could ask for. It is the multi tasker of the family. Ask and you will receive, generosity and warmth, food and heat, toasty toes and toast on your plate, breakfast muffins, lunch time soups, afternoon sticky cakes and suppertime divine bakes.

The Plans (Popty Ciwb)



What's More

We had to have a Popty series, welsh for oven. Who wouldn't want to pop something in a popty? It is an old word possibly originating from the old shared bakehouses. We love the association with shared baking and perhaps stretching a hand back through the history to others who cooked over fire.



The Tech Details

Nominal Output	5kW	
Efficiency	82.4%	
Particulates @ 13% O ₂	35mg/m ³	
Width 555mm	Depth 405mm	Height 1115mm
**Internal Oven Dimension (Excluding Shelves)		
Width 350mm	Depth 215mm	Height 200mm
Fuel	Wood Only	
Approved For Use In Smoke Control Zones	Yes	
Optional Direct Air Kit Available	Yes	
Colours Available	Yes	
Max Log Length x average diameter	300mm x 100mm	
Flue Collar Diameter	127mm	
Flue Size Required	Min 125mm	
Top Exit	Standard	
Rear Exit	Fit blanking plate to top exit	
**Distance To Combustibles With Insulated Flue Fitted to Stove Top		
Side 200mm	Rear 100mm	Above 500mm
*Distance To Non Combustibles		
Side 100mm	Rear 50mm	Above 150mm
Hearth Type	12mm	
Tested to EN13240:2001 / EN13240-A2 2004 / BS3841-2:1994		

*These are minimum distances, be aware that there are other considerations eg. access for sweeping, height of kettle

+If single walled flue is used then the distance to combustibles at the rear is equal to 3 x flue diameter (document J)

**Shelf supports inside oven, protrude 20mm on both sides, plus 50mm slope at rear of oven

**UK
CA**

LOFTY-LICIOUS



Welsh Rarebit

- 50g plain flour
- 50g butter
- 250ml strong beer, warmed
- 250g strong Welsh cheddar cheese, grated
- 2tsp mustard
- 2tbsp Worcestershire sauce or soya sauce
- Black pepper
- 4 large slices of granary or sour dough bread

Melt the butter in a saucepan on the stove top and add the flour, stirring well to make a smooth paste. Keep stirring while you cook, for two minutes. Add the beer a little at a time, stirring well to make a thick, smooth sauce. Add the cheese and stir until it is melted, then mix in the mustard, pepper and Worcestershire Sauce. Toast the bread in the oven. Place onto an oven tray, pile some of the cheese mix on each slice and put back in the oven until it is browned and bubbling.

Enjoy

Popty Lofty in storm blue

Woody (Cat) wood only

Dim ond Woody (Cat) pren yn unig

Brave, innovative, environmentally aware, a quiet revolutionary.

If you want to burn solely wood, then this version of Woody is the one for you. In addition to all of the Ecodesign features of our multi fuel stoves, this stove uses catalytic converter technology. The Woody (Cat) is 83% efficient and has a particulate emission figure that is 75% lower than the figure required by Ecodesign standard, thanks to the catalytic converter technology. It has a generous landscape view of the roaring fire.

Catalytic Converter

The catalytic converters (Cat) are a honeycomb structure that has a special coating that chemically converts harmful gases and superheats to burn off smoke particles. It can be seen glowing orange when functioning. The usual life expectancy of a cat is 3-5 years, depending on usage. They are placed in a removable cassette for ease of access.



The Tech Details

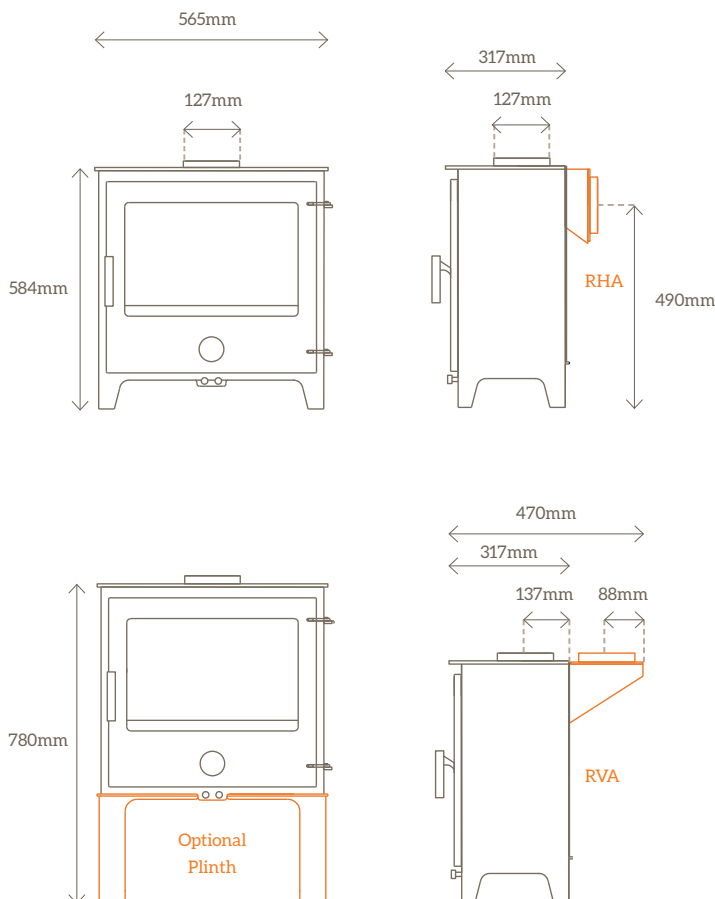


Nominal Output	5kW	
Efficiency	83.3%	
Particulates @ 13% O2	11mg/m ³	
Width 565mm	Depth 317mm	Height 584mm
Fuel	Wood Only	
Approved For Use In Smoke Control Zones	Yes	
Optional Direct Air Kit Available	Yes	
Colours Available	Yes	
Max Log Length x average diameter	430mm x 100mm	
Flue Collar Diameter	127mm	
Flue Size Required	Min 125mm	
Top Exit	Standard	

Rear Exit	Rear Horizontal (RHA) / Vertical Adaptor (RVA) Required	
**Distance To Combustibles With Insulated Flue Fitted to Stove	Side 400mm	Rear 150mm
		Above 550mm
*Distance To Non Combustibles	Side 100mm	Rear 50mm
		Above 150mm
Hearth Type	No Base Heat Shield / Plinth	Constructional
Hearth With Base Heat Shield / Plinth		12mm
Tested to	EN13240:2001 & EN13240A2:2004	

*These are minimum distances, be aware that there are other considerations eg. access for sweeping, height of kettle
 +If single walled flue is used then the distance to combustibles at the rear is equal to 3 x flue diameter (document J)

The Plans





AN EVOLUTIONARY REVOLUTIONARY



Woody (cat) in penguin black

Woody (Multi Fuel)

Dim ond Woody (Aml Danwydd)

The slim eco stove with big world views and a captivating dual nature.

If you want to burn both wood and solid fuel, then this multi fuel version of Woody is the one for you. Like its wood burning brother it is generously proportioned, yet slim, efficient, clean burning and quietly, modestly, magnificent.

What's More

To achieve lower emissions this penguin uses a combination of three features. Secondary heat retaining glazing is used so that the fire box stays hotter. Re-designed combustion air nozzles diffuse the incoming oxygen, allowing for a more complete combustion. Lastly the flow of air going toward the flue is interrupted, which increases the dwell time in the fire chamber, again contributing to more complete combustion.

Penguin Facts

Woody Eco (Multi Fuel) is 83% efficient on wood and 87% efficient on anthracite, with similar particulate emissions, well within the 2022 Ecodesign requirements.

Like it's eco brother, this stove also has secondary heat retaining glazing, with air wash and a landscape view of the fire.

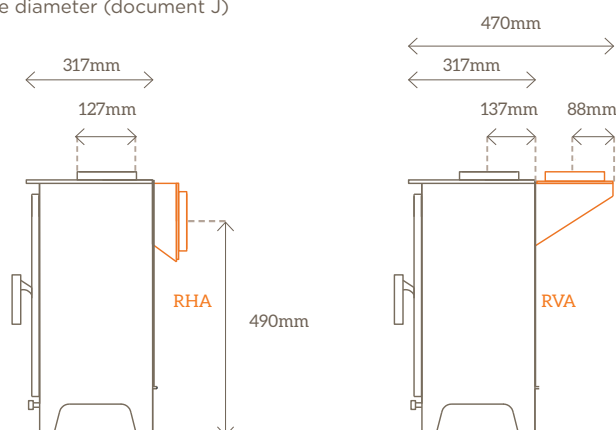


The Tech Details

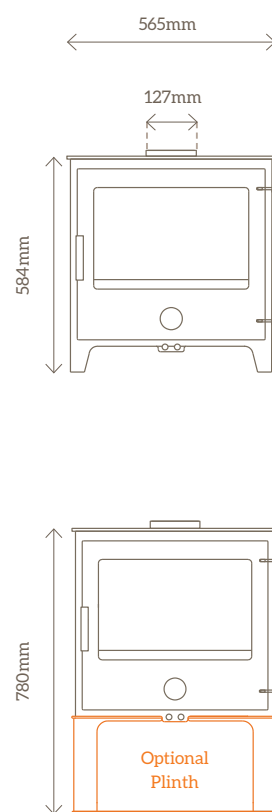
	W = Wood	SF = Smokeless Fuel
Nominal Output	4.8kW	5kW
Efficiency	82.7%	87.4%
Particulates @ 13% O2	20mg/m ³	16mg/m ³
Width 565mm	Depth 317mm	Height 584mm
Multi-Fuel	Yes	
Approved For Use In Smoke Control Zones	Yes	
Optional Direct Air Kit Available	Yes	
Colours Available	Yes	
Max Log Length x average diameter	430mm x 100mm	
Flue Collar Diameter	127mm	
Flue Size Required	Min 125mm	
Top Exit	Standard	
Rear Exit	Rear Horizontal (RHA) / Vertical Adaptor (RVA) Required	
**Distance To Combustibles With Insulated Flue Fitted to Stove Top		
Side 400mm	Rear 150mm	Above 550mm
*Distance To Non Combustibles		
Side 100mm	Rear 50mm	Above 150mm
Hearth Type No Base Heat Shield / Plinth	Constructional	
Hearth With Base Heat Shield / Plinth	12mm	
Tested to EN13240:2001 & EN13240A2:2004		

*These are minimum distances, be aware that there are other considerations eg. access for sweeping, height of kettle
 +If single walled flue is used then the distance to combustibles at the rear is equal to 3 x flue diameter (document J)

UK
CA



The Plans





CWTC UP WITH A PENGUIN

Woody (multi) in seal grey

Call: 01758 721 247

The Penguin 7 & Penguin 7 Convector

Pengwin 7 a Pengwin 7 Darfudol

The big boys of the penguin family, cool, classic, contemporary.

This is 7kW of warm, glowing, chilli-hot, heat. The generous clear glass window offers you a huge uninterrupted view of the fire and it has the added benefit of taking large logs. Sleek in penguin black, delicious in charred red, sublime in seal grey.

What's More

The Penguin 7 and Penguin 7 Convector stoves have a 7 kW output. It offers a wonderful clear view of the fire and high efficiencies. Like all of our stoves the Penguin 7 and Penguin 7 Convector are very controllable. Convector stoves draw cooler air from the bottom of the panel, which rise as they heat up and exit out of the top of the panel, creating a continuous heat cycle.

The Tech Details

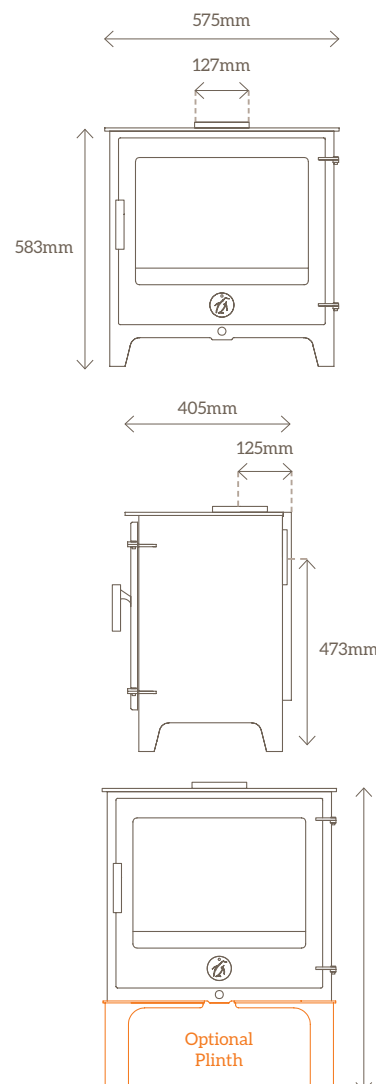
Nominal Output	7.1kW
Efficiency	75.8%
Particulates @ 13% O ₂	25mg/m ³
Penguin 7	Width 575mm Depth 405mm Height 583mm
P7 Convector	Width 649mm Depth 405mm Height 583mm
Fuel	Wood Only
Approved For Use In Smoke Control Zones	Yes
Optional Direct Air Kit Available	Yes
Colours Available	Yes
Max Log Length x average diameter	450mm x 100mm
Flue Collar Diameter	127mm
Flue Size Required	Min 125mm
Top Exit	Standard
Rear Exit	Fit blanking plate to top exit
**Distance To Combustibles With Insulated Flue Fitted to Stove Top	
Penguin 7	Side 400mm Rear 100mm Above 550mm
**Distance To Combustibles With Insulated Flue Fitted to Stove Top	
P7 Convector	Side 300mm Rear 100mm Above 550mm
*Distance To Non Combustibles	
Side 100mm Rear 50mm Above 150mm	
Hearth Type	12mm
Tested to EN13240:2001 / EN13240-A2 2004 / BS3841-2:1994	

*These are minimum distances, be aware that there are other considerations eg. access for sweeping, height of kettle

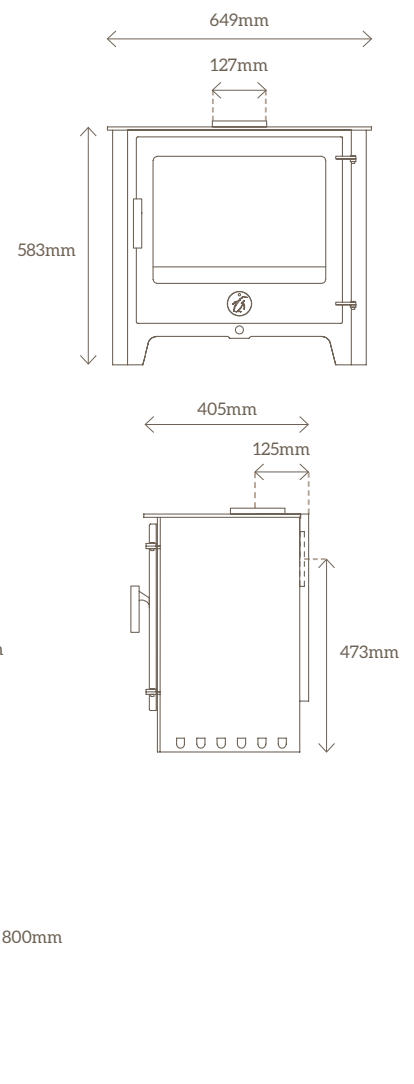
+If single walled flue is used then the distance to combustibles at the rear is equal to 3 x flue diameter (document J)



The Plans



The Plans (Convector)





The Penguin 7 on a plinth in seal grey



SIMPLY AWESOME...



Penguin 7 Convector in penguin black

Call: 01758 721 247

Penguin Idris

Penguin Idris

7kW of fiery loveliness.

We have a new guilty pleasure, the Penguin Idris. The Welsh origin of this name, is fiery and passionate, just like this penguin. The Penguin Idris gives out 7kW of chilli hot heat, like the Penguin 7 but with more to love; extra width with the side convector panels and extra height to balance it up and store your logs underneath... just that bit bigger and that bit hotter.

What's More

This stove is one of our convector stoves. Although often chosen for the appearance and large top plate, which offers a wider surface for placing a kettle on, the convector panels cause heat to move in a different way, making these stove particularly effective for heating large, well insulated rooms.

Penguin Facts

The Penguin Idris has a 7kW output with a large glass window. It uses the updated Chilli Penguin clean burn and air wash system, giving a lovely clear view of the fire. This is a wood only stove. Like all our domestic stoves the Penguin Idris is very controllable.

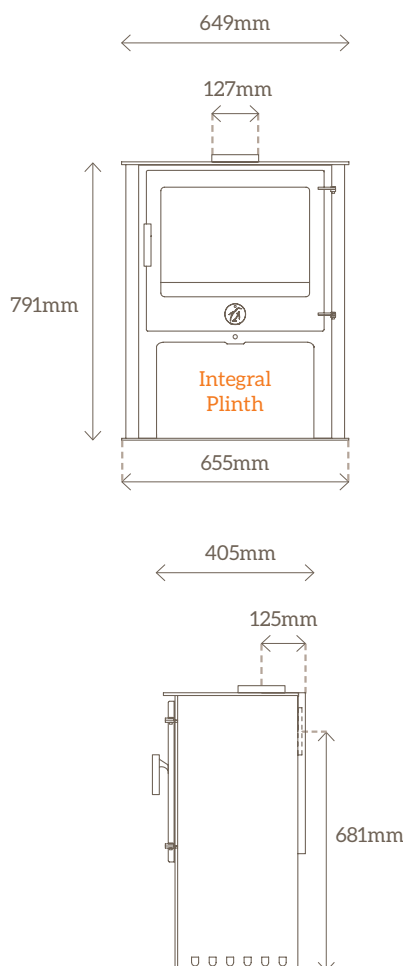
The Tech Details

Nominal Output	7.1kW	
Efficiency	75.8%	
Particulates @ 13% O ₂	25mg/m ³	
Width 649mm	Depth 405mm	Height 791mm
Fuel	Wood Only	
Approved For Use In Smoke Control Zones	Yes	
Optional Direct Air Kit Available	Yes	
Colours Available	Yes	
Max Log Length x average diameter	450mm x 100mm	
Flue Collar Diameter	127mm	
Flue Size Required	Min 125mm	
Top Exit	Standard	
Rear Exit	Fit blanking plate to top exit	
**Distance To Combustibles With Insulated Flue Fitted to Stove Top		
Side 300mm	Rear 100mm	Above 550mm
*Distance To Non Combustibles		
Side 100mm	Rear 50mm	Above 150mm
Hearth Type	12mm	
Tested to EN13240:2001 / EN13240-A2 2004 / BS3841-2:1994		

*These are minimum distances, be aware that there are other considerations eg. access for sweeping, height of kettle

+If single walled flue is used then the distance to combustibles at the rear is equal to 3 x flue diameter (document J)

The Plans



FIERY & PASSIONATE



The Seventy Ate “78” & The Seventy Ate “78” Shorty

Pengwin Saith Deg Wyth a Pengwin Saith Deg Wyth Bach

Big boy, Big oven, Big love. This penguin is the love child of the Penguin 7 and the Hungry Penguin.

What doesn't it have? It gives you heat, it gives you food, it gives you hot drinks, it has somewhere to store your logs and it's got a glorious big window to watch your fire burning. When the world disappoints you, it will be waiting for you at home. This penguin will work for it's living: it can multi task, it's strong, it's hot, it's got muscle and it cooks. If you love this penguin it will love you back.

The Tech Details

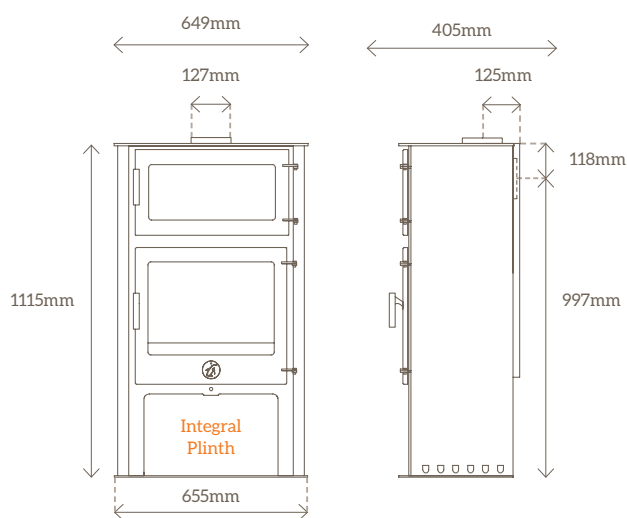
Nominal Output	7.2kW		
Efficiency	75.4%		
Particulates @ 13% O ₂	40mg/m ³		
78	Width 649mm	Depth 405mm	Height 1115mm
78 Shorty	Width 649mm	Depth 405mm	Height 906mm
**Internal Oven Dimension (Excluding Shelves)			
	Width 440mm	Depth 215mm	Height 200mm
Fuel	Wood Only		
Approved For Use In Smoke Control Zones	Yes		
Optional Direct Air Kit Available	Yes		
Colours Available	Yes		
Max Log Length x average diameter	450mm x 100mm		
Flue Collar Diameter	127mm		
Flue Size Required	Min 125mm		
Top Exit	Standard		
Rear Exit	Fit blanking plate to top exit		
**Distance To Combustibles With Insulated Flue Fitted to Stove Top			
Side 300mm	Rear 300mm	Above 550mm	
*Distance To Non Combustibles			
Side 100mm	Rear 50mm	Above 150mm	
Hearth Type	12mm		
Tested to EN13240:2001 / EN13240-A2 2004 / BS3841-2:1994			

*These are minimum distances, be aware that there are other considerations eg. access for sweeping, height of kettle

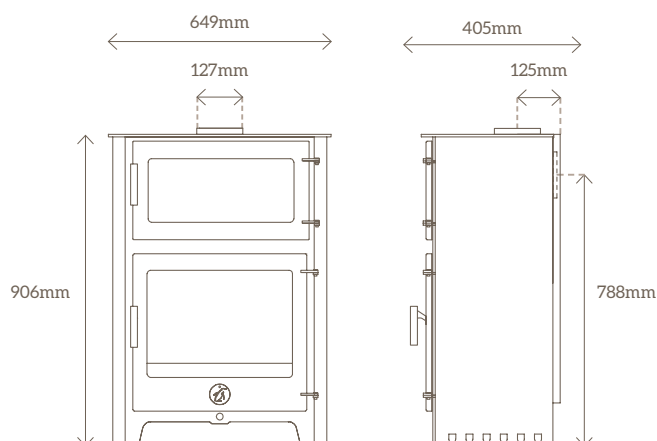
+If single walled flue is used then the distance to combustibles at the rear is equal to 3 x flue diameter (document J)

**Shelf supports inside oven, protrude 20mm on both sides, plus 50mm slope at rear of oven

The Plans



The Plans (Seventy Ate “78” Shorty)



The Seventy Ate "78" in seal grey



BIG LOVE...

What does sustainability mean to us?



Did you know we do more than stoves?



For more products ask your stockist or see our website.

www.chillipenguin.co.uk

It means making products that value the energy, time and skill used in their manufacture so that;

- They last a long time.
- Have replacement parts.
- The component parts can be recycled or be allowed to safely degrade at the end of the products life.



We wholeheartedly reject the concept of planned obsolescence in product design;

It means working towards a goal where everything that we use, sell and consume as a business;

- Does more good than harm.
- Is compostable/reusable/recyclable.

We believe that if the individual decisions that each of us make are taken with kindness and care, for both the people that we share this world with and the world that we share with them, that this is a powerful force for change.



You can read more about the steps we have taken towards a more sustainable business on our website.

www.chillipenguin.co.uk

Your FAQs

BEWARE of new friends post penguin (pp) they may well be visiting the penguin, not you... we're just saying...think about it.

What size stove will my room need?

The basic sum is height x width x depth (in metres) of room divided by 14 = kW output requirements. This is a guideline only, assuming an average room, achieving an inside temp of 20°C when 0°C outside.

What is air wash?

It is the system where preheated air is channelled towards the back of the glass, creating a cushion of air, preventing the glass from blackening. The controls must be correctly used and only the right fuels burnt to achieve the full effect. All Chilli Penguin Stoves have a very effective air wash system.

What is clean burn?

Additional air is introduced into the firebox above the fuel in order to burn volatile gases. These gases would otherwise be released into the atmosphere where they are harmful, effectively you are burning more 'cleanly'. The additional benefit is that it burns more efficiently, using less fuel to produce more heat. All our domestic stoves utilise clean burn technology offering a very effective clean burn system and very high efficiencies.

What fuel can I burn in a multi fuel stove?

Either seasoned/ kiln dried wood or smokeless fuels recommended for closed appliances.

DO NOT USE HOUSE COAL.

What is seasoned wood?

Wood with a moisture content of less than 20%, usually wood that has been felled, split and stored for at least one year. Typically about 60% of the weight of freshly cut wood is water. A 1kg log of fresh wood will contain about a tea mug's worth of water. Not only will damp wood not burn well it will tar up your stove and chimney. (www.soliftec.com)

How can I ensure my stove is safely installed?

In order to certify your stove installation you will either need a HETAS qualified fitter or have your installation inspected by your local building control dept. Always fit smoke and CO detectors. This is now a legal requirement. (www.hetas.co.uk) The rules in Scotland and Northern Ireland are slightly different, but installations should comply with hetas guidelines and our installation instructions.

How do I know my stove is safe?

Our stoves are tested to the EN13240:2001, EN13240-A2 2004 & BS3841-2:1994. All of our range are certified by DEFRA as suitable to be burned in smoke control zones (www.uksmokecontrolareas.co.uk)

Which size flue will I need?

The flue size required for all stoves is min 125mm. Chilli Billie has a smaller outlet so requires our starter pipe or a 4-5 inch adaptor.

How do I keep my glass clean?

- Use the air controls effectively
- Use the correct dry fuel
- Follow glass cleaning advice

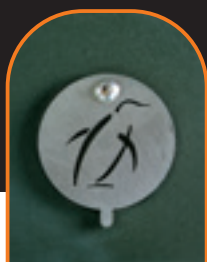
Which colours are Chilli Penguin Stoves available in?

All the stove models are painted with a high temperature stove paint, which must be carefully cured during your first few fires. This can be cleaned with any dry cleaning methods, a soft brush is ideal, no liquids, and can be touched up if necessary. Colours available in the options below.

Actual colours may vary due to print process, please take this as an indication only.



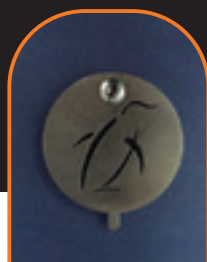
Charred Red



Evergreen



Polar Bear Belly



Storm Blue



Seal Grey



Penguin Black

Chilli Penguin Stoves 7 Year Warranty [Register Online](#)

This extended warranty is offered if stoves are purchased through your local approved Chilli Penguin stockist and registered online within 2 months of purchase. The bodies, doors and stainless steel handles of all our stoves with the exception of the Chilli Billie are guaranteed for 7 years. The stoves must have been installed and maintained as laid out in the instruction manual. In addition they must be certified by either a HETAS* installer or your local building control dept.

Catalytic converters carry a 3 year guarantee.

For full details see instruction manual and online *With the exception of Scotland and Northern Ireland



The Chilli Billie 5 Year Warranty [Register Online](#)

This extended warranty is offered if your Chilli Billie is purchased through your local approved Chilli Penguin stockist and registered online within 2 months of purchase. The bodies and doors of The Chilli Billie are guaranteed for 5 years. The stoves must have been installed and maintained as laid out in the instruction manual. In addition they must be certified by either a HETAS* installer or your local building control dept.

For full details see instruction manual and online *With the exception of Scotland and Northern Ireland



ENGINEERING
ON FIRE

CHILLI PENGUIN STOVES



Sales and Technical Support
Call: 01758 721 247









stoves@chillipenguin.co.uk



Local Stockists
www.chillipenguin/contact



Chilli Penguin Workshop
11 Glan y Don Industrial Estate | Pwllheli | Gwynedd LL53 5YT.

Follow Us:       

www.chillipenguin.co.uk

Location, Photography & Design:
www.lovelavenderhouse.co.uk
www.bbphoto.net
www.euronjonesphotography.com
www.martdesign.net



PRINTED VERSION USES
FSC PAPER AND VEGETABLE INK

I have loved being in your
home. Can you return me to
the stove shop when you have
finished with me...
I have more love
to give
X

REDUCE | REUSE | RECYCLE